

Dell™ XPS 600

Owner's Manual

Model WHL

Notes, Notices, and Cautions



NOTE: A NOTE indicates important information that helps you make better use of your computer.



NOTICE: A NOTICE indicates either potential damage to hardware or loss of data and tells you how to avoid the problem.



CAUTION: A CAUTION indicates a potential for property damage, personal injury, or death.

If you purchased a Dell™ n Series computer, any references in this document to Microsoft® Windows® operating systems are not applicable.

Information in this document is subject to change without notice.

© 2005 Dell Inc. All rights reserved.

Reproduction in any manner whatsoever without the written permission of Dell Inc. is strictly forbidden.

Trademarks used in this text: *Dell*, the *DELL* logo, *Inspiron*, *Dell Precision*, *Dimension*, *OptiPlex*, *Latitude*, *PowerEdge*, *PowerVault*, and *PowerApp* are trademarks of Dell Inc.; *Intel* and *Pentium* are registered trademarks of Intel Corporation; *Microsoft* and *Windows* are registered trademarks of Microsoft Corporation.

Other trademarks and trade names may be used in this document to refer to either the entities claiming the marks and names or their products. Dell Inc. disclaims any proprietary interest in trademarks and trade names other than its own.

Model WHL

November 2005

P/N HC098

Rev. A03

Contents

Finding Information	9
1 Setting Up and Using Your Computer	
Opening the Drive Door	15
Changing the Front-Panel Light Color	15
Using a Media Card Reader (Optional)	17
Connecting Monitors	18
Connecting a Monitor to a PCI Express Graphics Card Dual Configuration	18
Connecting Two Monitors	18
Connecting a TV	20
Changing the Display Settings to Support Two Monitors	20
About Serial ATA Drives	21
About Your RAID Configuration	21
RAID Level 0 Configuration	21
RAID Level 1 Configuration	22
Configuring Your Hard Drives for RAID	23
Creating an Array using the Nvidia MediaShield ROM Utility	23
Using Nvidia MediaShield	24
Transferring Information to a New Computer	27
Playing CDs and DVDs	28
Playing a CD or DVD	28
Adjusting the Volume	29
Adjusting the Picture	30
Copying CDs and DVDs	30
How to Copy a CD or DVD	30
Using Blank CDs and DVDs	31
Helpful Tips	32
Network Setup Wizard	32

Power Management	33
Overview	33
Standby Mode	33
Hibernate Mode.	33
Power Options Properties	34
2 Optimizing Performance	
Hyper-Threading	37
PCI Express Cards	37
NVIDIA SLI Dual Graphics Technology	38
3 Solving Problems	
Troubleshooting Tips	39
Battery Problems	39
Drive Problems	39
CD and DVD drive problems	40
Hard drive problems	41
E-Mail, Modem, and Internet Problems	41
Error Messages	42
IEEE 1394 Device Problems	43
Keyboard Problems	44
Lockups and Software Problems	44
The computer does not start up	45
The computer stops responding	45
A program stops responding	45
A program crashes repeatedly	45
A program is designed for an earlier Windows operating system	46
A solid blue screen appears	46
Other software problems	46
Memory Problems	47
Mouse Problems	47

Network Problems	48
Power Problems	49
Printer Problems	50
Scanner Problems	51
Sound and Speaker Problems	51
No sound from speakers	51
No sound from headphones	52
Video and Monitor Problems	53
If the screen is blank	53
If the screen is difficult to read	53
If 3-D image quality is poor	54

4 Advanced Troubleshooting

Diagnostic Lights	55
Dell Diagnostics	58
When to Use the Dell Diagnostics	58
Drivers	60
What Is a Driver?	60
Identifying Drivers	60
Reinstalling Drivers	61
Using Microsoft® Windows® XP System Restore	62
Creating a Restore Point	63
Restoring the Computer to an Earlier Operating State	63
Undoing the Last System Restore.	63
Resolving Software and Hardware Incompatibilities	64
Reinstalling Microsoft® Windows® XP	64
Before You Begin	64
Reinstalling Windows XP	65

5 Removing and Installing Parts

Before You Begin	69
Recommended Tools	69
Turning Off Your Computer	69
Before Working Inside Your Computer	70
Front and Back View of the Computer	71
Front View	71
Front View (Doors Open)	72
Back View	73
Opening the Computer Cover	76
Inside View of Your Computer	77
System Board Components	78
Memory	79
Addressing Memory Configurations	80
Installing Memory	80
Removing Memory	82
Cards	82
Removing a PCI Express Graphics Card from a Dual Configuration	84
Installing PCI Express Graphics Cards in a Dual Configuration	86
Removing PCI and PCI Express Cards	89
Installing PCI and PCI Express Cards	91
Network Adapter and Sound Card Settings	94
Drives	95
General Installation Guidelines	95
Connecting Drive Cables	96
Hard Drive	97
Removing a Hard Drive	97
Installing a Hard Drive	98
Floppy Drive	101
Removing a Floppy Drive	101
Installing a Floppy Drive	103
Media Card Reader	105
Removing a Media Card Reader	105
Installing a Media Card Reader	106


CD/DVD Drive	108
Removing a CD/DVD Drive	109
Installing a CD/DVD Drive	110
Processor Airflow Shroud	112
Removing the Processor Airflow Shroud	112
Installing the Processor Airflow Shroud	113
Processor	113
Removing the Processor	113
Installing the Processor	117
Front Panel	120
Removing the Front Panel	120
Replacing the Front Panel	120
Drive Door	121
Removing the Drive Door	121
Replacing the Drive Door	122
Battery	124
Replacing the Battery	124
Closing the Computer Cover	125


6 Appendix

Specifications	127
System Setup	131
Overview	131
Entering System Setup	131
System Setup Options	132
Boot Sequence	136
Clearing Forgotten Passwords	137
Clearing CMOS Settings	138
Cleaning Your Computer	139
Computer, Keyboard, and Monitor	139
Mouse	139
Floppy Drive	139
CDs and DVDs	140

Dell Technical Support Policy (U.S. Only)	140
Definition of "Dell-Installed" Software and Peripherals	140
Definition of "Third-Party" Software and Peripherals.	141
FCC Notices (U.S. Only)	141
Class A	141
Class B	142
FCC Identification Information	142
Contacting Dell.	142
Index	161

Finding Information

 **NOTE:** Some features or media may be optional and may not ship with your computer. Some features or media may not be available in certain countries.

 **NOTE:** Additional information may ship with your computer.

What Are You Looking For?

- A diagnostic program for my computer
- Drivers for my computer
- My device documentation
- Desktop System Software (DSS)

Find It Here

Drivers and Utilities CD (also known as ResourceCD)

Documentation and drivers are already installed on your computer. You can use the CD to reinstall drivers or to run the Dell Diagnostics.



Readme files may be included on your CD to provide last-minute updates about technical changes to your computer or advanced technical-reference material for technicians or experienced users.

NOTE: Drivers and documentation updates can be found at support.dell.com.

NOTE: The *Drivers and Utilities* CD is optional and may not ship with your computer.

-
- How to set up my computer
 - Basic troubleshooting information
 - How to run the Dell Diagnostics
 - How to set up a printer
 - Additional information about setting up my computer
 - How to troubleshoot and solve problems
 - How to remove and install parts
 - Specifications
 - How to contact Dell

Owner's Manual



NOTE: This document is available as a PDF at support.dell.com.

What Are You Looking For?

- Warranty information
- Terms and Conditions (U.S. and Canada)
- Safety instructions
- Regulatory information
- Ergonomics information
- End User License Agreement

Find It Here

Dell™ Product Information Guide



- How to set up my computer

Setup Diagram



What Are You Looking For?

- Service Tag and Express Service Code
- Microsoft Windows License Label

Find It Here

Service Tag and Microsoft® Windows® License

These labels are located on your computer.

- Use the Service Tag to identify your computer when you use support.dell.com or contact technical support.
- Enter the Express Service Code to direct your call when contacting technical support.



What Are You Looking For?

- Solutions — Troubleshooting hints and tips, articles from technicians, online courses, and frequently asked questions
- Community — Online discussion with other Dell customers
- Upgrades — Upgrade information for components, such as memory, the hard drive, and the operating system
- Customer Care — Contact information, service call and order status, warranty, and repair information
- Service and support — Service call status and support history, service contract, and online discussions with technical support
- Reference — Computer documentation, details on my computer configuration, product specifications, and white papers
- Downloads — Certified drivers, patches, and software updates
- Desktop System Software (DSS)— If you reinstall the operating system for your computer, you should also reinstall the DSS utility. DSS provides critical updates for your operating system and support for Dell 3.5-inch USB floppy drives, Intel® Pentium® M processors, optical drives, and USB devices. DSS is necessary for correct operation of your Dell computer. The software automatically detects your computer and operating system and installs the updates appropriate for your configuration.

To download Desktop System Software:

- 1 Go to support.dell.com and click **Downloads**.
- 2 Enter your Service Tag or product model.
- 3 In the **Download Category** drop-down menu, click **All**.
- 4 Select the operating system and operating system language for your computer, and click **Submit**.
Under **Select a Device**, scroll to **System and Configuration Utilities**, then click **Dell Desktop System Software**.

Find It Here

Dell™ Support Website — support.dell.com

NOTE: Select your region to view the appropriate support site.

NOTE: Corporate, government, and education customers can also use the customized Dell Premier Support website at premier.support.dell.com.

-
- How to use Windows XP

Windows Help and Support Center

- 1 Click the **Start** button, then click **Help and Support**.
- 2 Type a word or phrase that describes your problem and click the arrow icon.
- 3 Click the topic that describes your problem.
- 4 Follow the instructions on the screen.

What Are You Looking For?

- How to reinstall my operating system

Find It Here**Operating System CD**

The operating system is already installed on your computer. To reinstall your operating system, use the *Operating System CD*. See "Reinstalling Windows XP" on page 65.

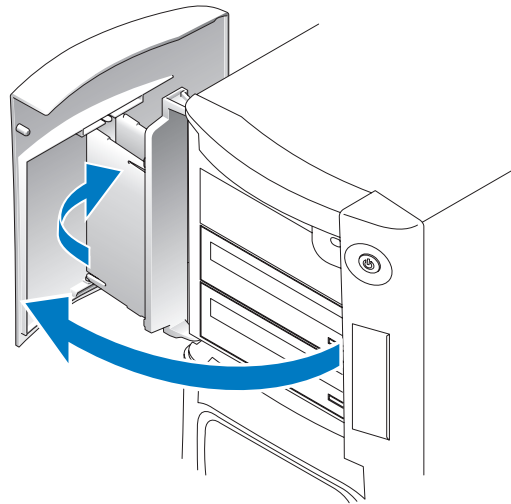


After you reinstall your operating system, use the *ResourceCD* to reinstall drivers for the devices that came with your computer.

NOTE: The color of your CD varies based on the operating system you ordered.

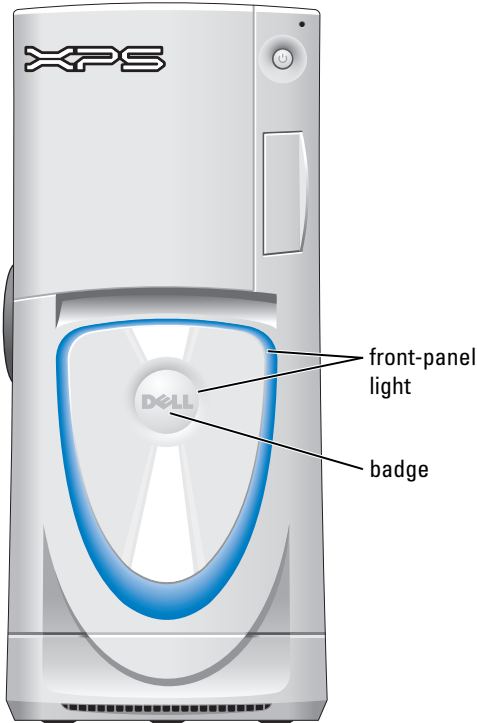
Setting Up and Using Your Computer

Opening the Drive Door



Changing the Front-Panel Light Color

You can use this exclusive Dell™ XPS feature either to change the color of the front-panel light that illuminates the Dell name and displays around the badge on the front of your computer, or to turn off the front-panel light entirely.



You can choose from several color choices:

- Off
- Ruby
- Emerald
- Sapphire (default)
- Amber
- Amethyst
- Topaz
- Diamond

CAUTION: Before you begin any of the procedures in this section, follow the safety instructions located in the *Product Information Guide*.

NOTE: The front-panel light is not for diagnostic purposes.

- 1 Follow the procedures in "Before You Begin" on page 69.
- 2 Turn on (or restart) your computer.
- 3 Enter system setup by pressing <F2>. (See "Entering System Setup" on page 131 for details about entering system setup).
- 4 Select the **Onboard Devices** option.
- 5 Select **Front LED Color**, and press <Enter>.
- 6 Press the left- and right- arrow keys to scroll through the color options. The front-panel light color changes as you scroll through the options.
- 7 Select the color you want, and press <Enter>.
- 8 Press <Esc>, and press **Save and Exit** to save the new front-panel light color setting.

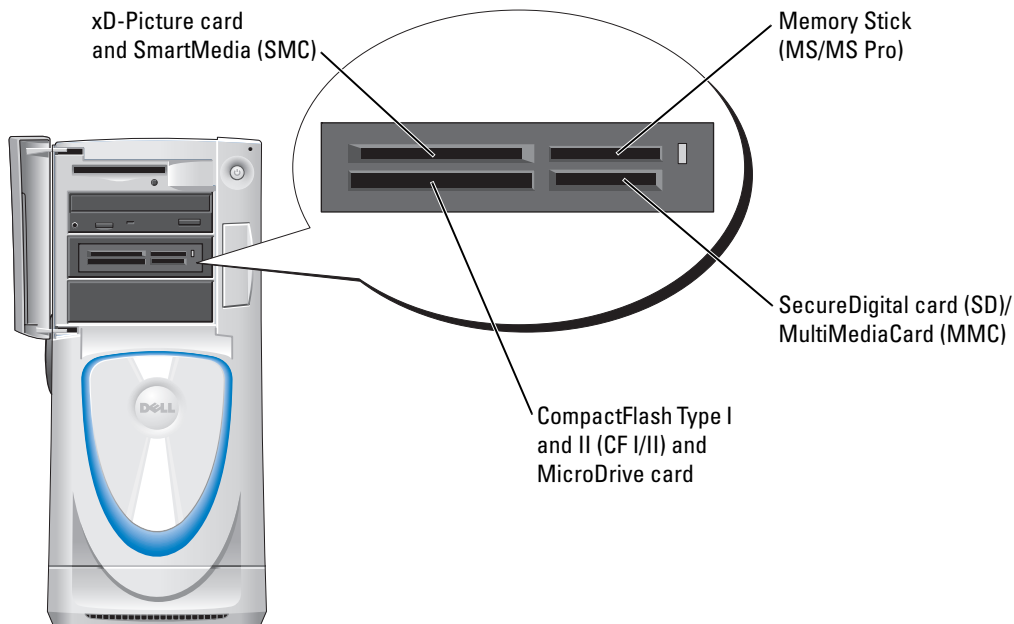
Using a Media Card Reader (Optional)

Use the media card reader to transfer data directly to your computer.

The media card reader supports the following memory types:

- xD-Picture card
- SmartMedia (SMC)
- CompactFlash Type I and II (CF I/II)
- MicroDrive card
- SecureDigital card (SD)
- MultiMediaCard (MMC)
- Memory Stick (MS/MS Pro)

For information on installing a media card reader, see "Installing a Media Card Reader" on page 106.



To use the media card reader:

- 1** Check the media or card to determine the proper orientation for insertion.
- 2** Slide the media or card into the appropriate slot until it is completely seated in the connector.
If you encounter resistance, do not force the media or card. Check the card orientation and try again.

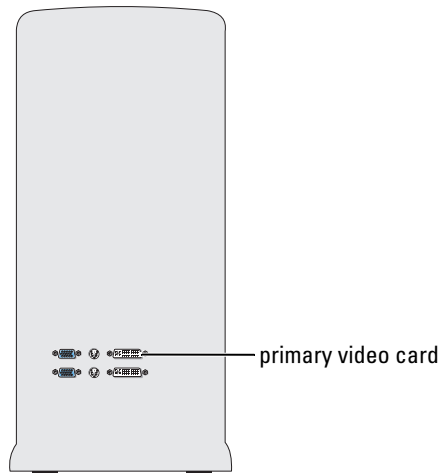
Connecting Monitors

CAUTION: Before you begin any of the procedures in this section, follow the safety instructions located in the *Product Information Guide*.

NOTE: Dependent upon options selected when you purchased your computer, your video card may have either two DVI ports or one DVI port and one VGA port.

Connecting a Monitor to a PCI Express Graphics Card Dual Configuration

If you are using PCI Express graphics cards in a dual configuration, only a single monitor is supported. Connect the monitor to the primary video card or the monitor will not function.



Connecting Two Monitors

NOTE: Your graphics card and configuration must support dual monitors for you to connect and enable two monitors using the instructions in this section.

The graphics card that came with your computer has an S-video port and either two DVI ports and a DVI-to-VGA adapter, or one DVI port and one VGA port.

To connect a monitor by attaching the DVI or VGA connector of the monitor directly to the DVI or the (optional) VGA port on your computer, see "Connecting Two Monitors (Without an Adapter)" on page 19. If you purchased a graphics card that has two DVI ports instead of a VGA port and need to use a VGA monitor, see "Connecting Two Monitors (With the Use of an Adapter)" on page 20.

Connecting Two Monitors (Without an Adapter)

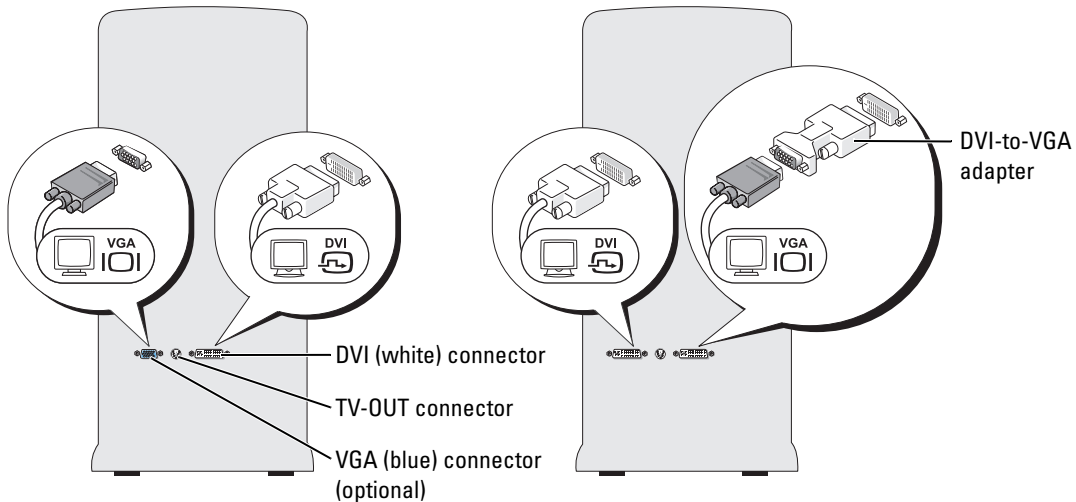
NOTE: Dependent upon options selected when you purchased your computer, your video card may have either two DVI ports or one DVI port and one VGA port.

Follow these instructions if you are connecting two monitors with DVI connectors to the two optional DVI ports on your computer, or if you are connecting one monitor with a DVI connector and one VGA monitor to the DVI and optional VGA ports on your computer.

If you have a monitor with a VGA connector, but your computer has two DVI ports, follow the instructions in "Connecting Two Monitors (With the Use of an Adapter)" on page 20.


NOTE: If you are using PCI Express graphics cards in a dual configuration, only a single monitor is supported.

- 1 Follow the procedures in "Before You Begin" on page 69.
- 2 Connect each of the monitors to a the appropriate connector on the back of the computer.
If your monitor has a DVI connector, use the white DVI port on your computer.
If your monitor has a VGA connector, use the (optional) blue VGA port on your computer.
- 3 Change the display settings to support both monitors (see "Changing the Display Settings to Support Two Monitors" on page 20).




Connecting Two Monitors (With the Use of an Adapter)

Follow these instructions if you purchased a graphics card that has two DVI ports instead of a VGA port and need to use a VGA monitor.


 **NOTE:** If you are using PCI Express graphics cards in a dual configuration, only a single monitor is supported.


- 1 Follow the procedures in "Before You Begin" on page 69.
- 2 Attach the DVI connector on the appropriate monitor to the white DVI port on the back of the computer.

 **NOTE:** Your graphics card must support a VGA monitor being connected to the DVI port.

- 3 Connect the DVI-to-VGA adapter to the VGA connector on the other monitor, then connect the adapter to the white DVI port on the back of the computer.
- 4 Change the display settings to support both monitors (see "Changing the Display Settings to Support Two Monitors" on page 20).

Connecting a TV

 **NOTE:** If you are connecting a TV, you may connect only one monitor (VGA or DVI) in addition to the TV.

 **NOTE:** See the documentation that came with your TV to ensure that you properly configure and connect the TV.

To connect a TV to your computer, you must purchase an S-video cable, which is available at most consumer electronics stores. An S-video cable is not included with your computer.

- 1 Follow the procedures in "Before You Begin" on page 69.
- 2 Connect one end of the S-video cable to the TV-OUT connector on the back of the computer.
- 3 Connect the other end of the S-video cable to the S-video input connector on your TV.
- 4 Connect one VGA or DVI monitor as described in the preceding subsection, "Connecting Two Monitors (Without an Adapter)" on page 19.

Changing the Display Settings to Support Two Monitors

- 1 After you connect the monitors, turn on the computer.
The Microsoft® Windows® desktop displays on the primary monitor.
- 2 Enable clone mode or extended desktop mode in the display settings.
 - In clone mode, both monitors display the same image.
 - In extended desktop mode, you can drag objects from one screen to the other, effectively doubling the amount of viewable work space.

For information on changing the display settings for your graphics card, see the user's guide in the Help and Support Center (click the **Start** button, click **Help and Support**, click **User and system guides**, click **Device guides**, and then click the guide for your graphics card).


About Serial ATA Drives

Your computer supports up to three serial ATA hard drives. Serial ATA drives provide the following benefits by transferring data using serial technology and flexible cables that are thinner and longer than IDE cables:


- Improved cable routing facilitates more efficient airflow inside the chassis.
- Compact cable connectors save space on the system board and on the hard drive. Combined with the improved cable routing, this allows a more efficient utilization of space inside the chassis.

See "Hard Drive" on page 97 for information on serial ATA drive connections.

About Your RAID Configuration

 **NOTICE:** If you might ever decide to migrate to a RAID array, before loading the operating system onto a hard drive, set up that drive as a single drive RAID 0 array. See "Creating an Array using the Nvidia MediaShield ROM Utility" on page 23 for instructions.

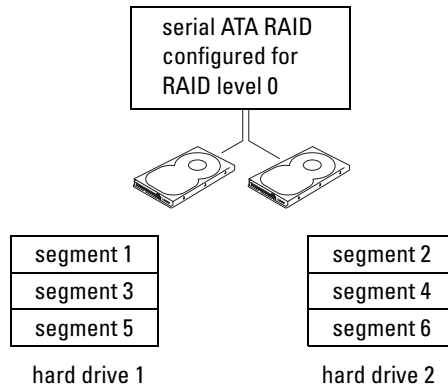
This section provides an overview of the RAID configuration that you might have selected when you purchased your computer. Dell offers either a RAID level 0 configuration or a RAID level 1 configuration on your Dell™ XPS computer. A RAID level 0 configuration is recommended for high-performance gaming, and a RAID level 1 configuration is recommended for the data integrity requirements of digital photography and audio.

 **NOTE:** RAID levels do not represent a hierarchy. A RAID level 1 configuration is not inherently better or worse than a RAID level 0 configuration.

The drives in an array should be the same size in order to ensure that the larger drive does not contain unallocated (and therefore unusable) space.

RAID Level 0 Configuration

A RAID level 0 configuration uses a storage technique known as "data striping" to provide a high data access rate. Data striping is a method of writing consecutive segments, or stripes, of data sequentially across the physical drives to create a large virtual drive. Data striping allows one of the drives to read data while the other drive is searching for and reading the next block.

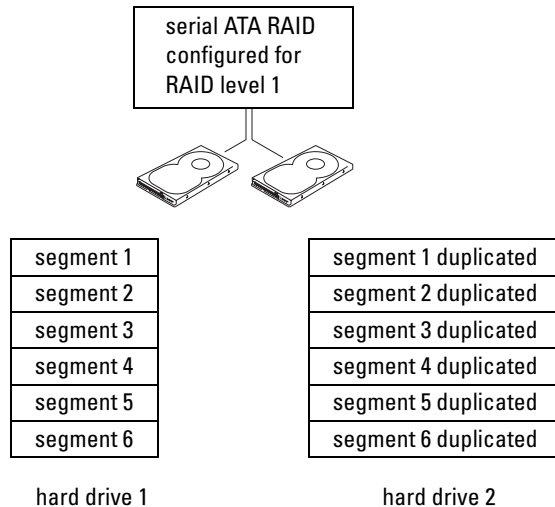


Another advantage of a RAID level 0 configuration is that it utilizes the full capacities of the drives. For example, if you have two 120-GB drives installed, you have 240 GB on which to store data.

NOTICE: Because RAID level 0 configurations provide no data redundancy, if one drive fails, then the data on the other drive is also inaccessible. Therefore, ensure that you perform regular backups when you use a RAID level 0 configuration.

RAID Level 1 Configuration

RAID level 1 uses a data-redundancy storage technique known as "mirroring." When data is written to the primary drive, it is then duplicated, or mirrored, on the other drive. A RAID level 1 configuration sacrifices high data-access rates for its data redundancy advantages.



If a drive failure occurs, subsequent read and write operations are directed to the surviving drive. A replacement drive can then be rebuilt using the data from the surviving drive. Also, because data is duplicated on both drives, a RAID level 1 configuration using two 120-GB hard drives collectively has a maximum of 120 GB on which to store data.

Configuring Your Hard Drives for RAID

- ➔ **NOTICE:** If you might ever decide to migrate to a RAID array, before loading the operating system onto a hard drive, set up that drive as a single drive RAID 0 array. See "Creating an Array using the Nvidia MediaShield ROM Utility" on page 23 for instructions.

At some point you may want to configure your computer for RAID if you did not select a RAID configuration when you purchased your computer. You must have at least two hard drives installed in your computer to set up a RAID configuration. For instructions on how to install a hard drive, see "Installing a Hard Drive" on page 98.

You can use one of two methods to configure RAID hard drive volumes. One method uses the Nvidia MediaShield ROM utility and is performed *before* you install the operating system onto the hard drive. The second method uses Nvidia MediaShield, and this method is performed *after* you have installed the operating system with the Nvidia RAID drivers.

Both methods require that you set your computer to RAID-enabled mode before starting any of the RAID configuration procedures in this document.

Setting Your Hard Drives to RAID-Enabled Mode

- 1 Enter system setup (see "Entering System Setup" on page 131).
 - 2 Press the up- and down-arrow keys to highlight **Drives**, and press <Enter>.
 - 3 Press the up- and down-arrow keys to highlight the applicable SATA drive, and press <Enter>.
 - 4 Press the left- and right-arrow keys to highlight **RAID On**, press <Enter>, and then press <Esc>.
- ✎ **NOTE:** For more information about RAID options, see "System Setup Options" on page 132.
- 5 Press the left- and right-arrow keys to highlight **Save/Exit**, and press <Enter> to exit system setup and resume the boot process. Repeat the process as necessary for each SATA hard drive.

Creating an Array using the Nvidia MediaShield ROM Utility

- ➔ **NOTICE:** You will lose any data on your hard drives when you create a RAID configuration using the following procedure. Back up data you want to keep before continuing.
- ➔ **NOTICE:** If you might ever decide to migrate to a RAID array, before loading the operating system onto a hard drive, set up that drive as a single drive RAID 0 array. See "Creating an Array using the Nvidia MediaShield ROM Utility" on page 23 for instructions.
- ✎ **NOTE:** Use the following procedure only if you are reinstalling your operating system. Do not use the following procedure to migrate an existing storage configuration to a RAID configuration.

Although any size drives may be used to create a RAID configuration, ideally the drives should be of equal size. In a RAID level 0 configuration, the size of the configuration will be the size of the smaller drive multiplied by the number (two) of drives in the configuration. In a RAID level 1 configuration, the size of the configuration will be the smaller of the two drives used.

- 1 Enable RAID on your hard drives (see "Setting Your Hard Drives to RAID-Enabled Mode" on page 23).

- 2 Press <Ctrl-n> when prompted to enter the RAID BIOS.



NOTICE: If you do not press <Ctrl-n> before the window closes, restart your computer and wait for the prompt to appear again.

The **Define a New Array** window appears.

- 3 Press <Tab> to navigate to the **RAID Mode** field.

To create a RAID 0 configuration, use the arrow keys to select **Striping**.

To create a RAID 1 configuration, use the arrow keys to select **Mirroring**.

- 4 Press <Tab> to navigate to the **Free Disks** field.

- 5 Use the right- and left-arrow keys to select the hard drive or drives to include in your RAID array; move the listed hard drives from the **Free Disks** field to the **Array Disks** field.



NOTE: Your computer supports a maximum of two drives per RAID1 array and three per RAID0 array.

- 6 After assigning hard drives to an array, press <F9>.



NOTICE: You will lose all data on the selected drives in the next step.

- 7 Press <Y> to clear all data from the selected drives.

The **Array Detail** window appears.

- 8 To specify the array as bootable, use the arrow keys to select the array and press .

- 9 To review the details of the array that you set up, use the arrow keys to highlight the array in the **Array Detail** window and press <Enter>.

To delete an array, navigate to the array using the arrow keys and press <D>.

Press <Enter> to return to the previous screen.

- 10 Press <Ctrl><X> to exit the RAID BIOS.

Using Nvidia MediaShield

Nvidia MediaShield allows you to create, view, and manage RAID configurations. If you already have one hard drive with the operating system installed on it, and you want to add a second hard drive and reconfigure both drives into a RAID volume without losing the existing operating system and any data, you need to use the morphing option (see "Morphing from a Single Drive RAID 0 Configuration to a Dual Drive RAID Configuration" on page 26).

Create a RAID level 0 volume or RAID level 1 volume only when you are adding two new drives to an existing single-drive computer configured as a single-drive level 0 RAID array, and you want to configure the two new drives into a RAID array.

Although any size drives may be used to create a RAID configuration using Nvidia MediaShield, ideally the drives should be of equal size. In a RAID level 0 configuration, the size of the configuration will be the size of the smallest drive multiplied by the number (two) of drives in the configuration. In a RAID level 1 configuration, the size of the configuration will be the smaller of the two drives used.

Creating a RAID Array



NOTICE: You will lose any data on your hard drives when you create a RAID configuration using the following procedure. Back up data you want to keep before continuing.



NOTE: Do not use the following procedure to migrate an existing storage configuration to RAID level 0 configuration.

- 1 Enable RAID on your hard drives (see "Setting Your Hard Drives to RAID-Enabled Mode" on page 23).
- 2 After rebooting your computer, launch Nvidia MediaShield.
- 3 Click **Create Array** in the **System Tasks** pane.
The **Create Array Wizard** appears.
- 4 Use the drop-down box to select **Striping** (for RAID 0) or **Mirroring** (for RAID 1).
- 5 Click **Next**.
- 6 Click to select the drives that will make up the RAID configuration.



NOTE: Your computer supports a maximum of two drives per RAID1 array and three per RAID0 array.

- 7 Select desired options.



NOTICE: The **Clear System Data** option will delete all data on the selected drive.


- 8 Click **Next**.
- 9 Click **Finish** to create the RAID configuration.

The array and any other installed hard drives should be visible in the NVRAID management utility window.

Deleting a RAID Array



NOTE: While this procedure deletes the RAID 1 volume, it also splits the RAID 1 volume into two non-RAID hard drives with a partition, and leaves any existing data files intact. Deleting a RAID 0 volume, however, destroys all data on the volume.


 **NOTE:** If your computer currently boots to RAID and you delete the RAID volume, your computer will become unbootable.

- 1 Launch Nvidia MediaShield.
- 2 Click to select an array.
- 3 Click **Delete Array** in the **System Tasks** pane.
The **Delete Array Wizard** appears.
- 4 Click **Next**.
A confirmation screen will appear with the name and size of the array that you have marked for deletion.
- 5 Click **Finish** to delete the RAID configuration.
Any other arrays and installed hard drives should be visible in the NVRAID management utility window.


Morphing from a Single Drive RAID 0 Configuration to a Dual Drive RAID Configuration

Follow this procedure if you have added a new hard drive to your computer and want to reconfigure it and your old hard drive into a RAID level 1 configuration without losing any data.

- 1 Launch Nvidia MediaShield.

 **NOTE:** Select your pre-existing hard drive as your source drive (it should be the hard drive containing the data or operating system files that you want to keep on the RAID volume).

- 2 Click to select an array.
- 3 Click **Convert Array** in the **System Tasks** pane.
The **Convert Array Wizard** appears.
- 4 Click **Next**.
- 5 Select **Mirroring** or **Striping** from the drop-down menu.
- 6 Click **Next**.

 **NOTICE:** In the following step, you will lose all data contained on the target member drive.

- 7 Select the new hard drive by clicking the checkbox beside it.
- 8 Click **Finish**.

Rebuilding a Degraded RAID Level 1 Configuration

If your computer has reported a degraded RAID level 1 volume, you can manually rebuild the computer's redundancy mirror to a new hard drive by performing the following steps:

- 1 Launch Nvidia MediaShield.
- 2 Click **Mirroring** in the management utility window.

- 3 Select **Rebuild Array** in the **System Tasks** pane.
The **Rebuild Array Wizard** appears.
- 4 Click **Next**.
- 5 Click to select the hard drive that you want to rebuild.
- 6 Click **Finish**.

You can use your computer while the computer is rebuilding the RAID level 1 volume.

Transferring Information to a New Computer

The Microsoft® Windows® XP operating system provides a Files and Settings Transfer wizard to move data from the source computer to the new computer. You can move data such as:

- E-mails
- Toolbar settings
- Window sizes
- Internet bookmarks

You can transfer the data to the new computer over a network or serial connection, or you can store it on a removable medium, such as a writable CD or floppy disk.

To prepare the new computer for the file transfer:

- 1 Click the **Start** button, point to **All Programs**→**Accessories**→**System Tools**, and then click **Files and Settings Transfer Wizard**.
- 2 When the **Files and Settings Transfer Wizard** welcome screen appears, click **Next**.
- 3 On the **Which computer is this?** screen, click **New Computer** and click **Next**.
- 4 On the **Do you have a Windows XP CD?** screen, click **I will use the wizard from the Windows XP CD** and click **Next**.
- 5 When the **Now go to your old computer** screen appears, go to your old or source computer.
Do not click **Next** at this time.

To copy data from the old computer:

- 1 On the old computer, insert the Windows XP *Operating System* CD.
- 2 On the **Welcome to Microsoft Windows XP** screen, click **Perform additional tasks**.
- 3 Under **What do you want to do?**, click **Transfer files and settings**.
- 4 On the **Files and Settings Transfer Wizard** welcome screen, click **Next**.
- 5 On the **Which computer is this?** screen, click **Old Computer** and click **Next**.
- 6 On the **Select a transfer method** screen, click the transfer method you prefer.

- 7 On the **What do you want to transfer?** screen, select the items you want to transfer and click **Next**.

After the information has been copied, the **Completing the Collection Phase** screen appears.

- 8 Click **Finish**.

To transfer data to the new computer:

- 1 On the **Now go to your old computer** screen on the new computer, click **Next**.
- 2 On the **Where are the files and settings?** screen, select the method you chose for transferring your settings and files and click **Next**.

The wizard reads the collected files and settings and applies them to your new computer.

When all of the settings and files have been applied, the **Finished** screen appears.

- 3 Click **Finished** and restart the new computer.

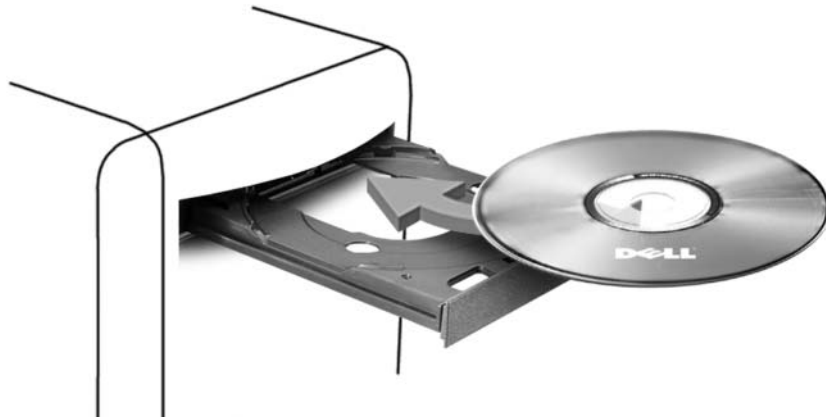
Playing CDs and DVDs

Playing a CD or DVD

➡ **NOTICE:** Do not press down on the CD or DVD tray when you open or close it. Keep the tray closed when you are not using the drive.


➡ **NOTICE:** Do not move the computer when you are playing CDs or DVDs.

- 1 Press the eject button on the front of the drive.
- 2 Place the disc, label side up, in the center of the tray.











- 3 Press the eject button or gently push in the tray.












To format CDs for storing data, to create music CDs, or to copy CDs, see the CD software that came with your computer.

 **NOTE:** Ensure that you follow all copyright laws when you create CDs.

A CD player includes the following basic buttons:

	Play
	Move backward within the current track
	Pause
	Move forward within the current track
	Stop
	Go to the previous track
	Eject
	Go to the next track

A DVD player includes the following basic buttons:

	Stop
	Restart the current chapter
	Play
	Fast forward
	Pause
	Fast reverse
	Advance a single frame while in pause mode
	Go to the next title or chapter
	Continuously play the current title or chapter
	Go to the previous title or chapter
	Eject

For more information on playing CDs or DVDs, click **Help** on the CD or DVD player (if available).

Adjusting the Volume

 **NOTE:** When the speakers are muted, you do not hear the CD or DVD playing.

- 1 Click the **Start** button, point to **All Programs**→**Accessories**→**Entertainment**, and then click **Volume Control**.
- 2 In the **Volume Control** window, click and drag the bar in the **Volume Control** column and slide it up or down to increase or decrease the volume.

For more information on volume control options, click **Help** in the **Volume Control** window.

Adjusting the Picture


If an error message notifies you that the current resolution and color depth are using too much memory and preventing DVD playback, adjust the display properties.

- 1 Click the **Start** button and click **Control Panel**.
- 2 Under **Pick a category**, click **Appearance and Themes**.
- 3 Under **Pick a task...**, click **Change the screen resolution**.
- 4 In the **Display Properties** window, click and drag the bar in **Screen resolution** to change the setting to 800 by 600 pixels.
- 5 Click the drop-down menu under **Color quality**, and then click **Medium (16 bit)**.
- 6 Click **OK**.

Copying CDs and DVDs


 **NOTE:** Ensure that you observe all copyright laws when creating CDs or DVDs.

This section applies only to computers that have a CD-RW, DVD +/-RW, or CD-RW/DVD (combo) drive.


 **NOTE:** The types of CD or DVD drives offered by Dell™ may vary by country.

The following instructions explain how to make an exact copy of a CD or DVD. You can also use Sonic DigitalMedia for other purposes, such as creating music CDs from audio files stored on your computer or backing up important data. For help, open Sonic DigitalMedia and then click the question mark icon in the upper-right corner of the window.

How to Copy a CD or DVD

 **NOTE:** CD-RW/DVD combo drives cannot write to DVD media. If you have a CD-RW/DVD combo drive and you experience recording problems, check for available software patches on the Sonic support website at www.sonic.com.

The DVD-writable drives installed in Dell computers can write to and read DVD +/-R, DVD +/-RW and DVD+R DL (dual layer) media, but cannot write to and may not read DVD-RAM or DVD-R DL media.

 **NOTE:** Most commercial DVDs have copyright protection and cannot be copied using Sonic DigitalMedia.

- 1 Click the **Start** button, point to **All Programs**→ **Sonic**→ **DigitalMedia Projects**, and then click **Copy**.
- 2 Under the **Copy** tab, click **Disc Copy**.

3 To copy the CD or DVD:

- *If you have one CD or DVD drive*, ensure that the settings are correct and click the **Disc Copy** button. The computer reads your source CD or DVD and copies the data to a temporary folder on your computer hard drive.

When prompted, insert a blank CD or DVD into the drive and click **OK**.

- *If you have two CD or DVD drives*, select the drive into which you have inserted your source CD or DVD and click the **Disc Copy** button. The computer copies the data from the source CD or DVD to the blank CD or DVD.

Once you have finished copying the source CD or DVD, the CD or DVD that you have created automatically ejects.

Using Blank CDs and DVDs

CD-RW drives can write to CD recording media only (including high-speed CD-RW) while DVD-writable drives can write to both CD and DVD recording media.

Use blank CD-Rs to record music or permanently store data files. After creating a CD-R, you cannot write to that CD-R again (see the Sonic documentation for more information). Use blank CD-RWs to write to CDs or to erase, rewrite, or update data on CDs.

Blank DVD+/-Rs can be used to permanently store large amounts of information. After you create a DVD+/-R disc, you may not be able to write to that disc again if the disc is "finalized" or "closed" during the final stage of the disc creation process. Use blank DVD+/-RWs if you plan to erase, rewrite, or update information on that disc later.

CD-Writable Drives

Media Type	Read	Write	Rewritable
CD-R	Yes	Yes	No
CD-RW	Yes	Yes	Yes

DVD-Writable Drives

Media Type	Read	Write	Rewritable
CD-R	Yes	Yes	No
CD-RW	Yes	Yes	Yes
DVD+R	Yes	Yes	No
DVD-R	Yes	Yes	No
DVD+RW	Yes	Yes	Yes
DVD-RW	Yes	Yes	Yes
DVD+R DL	Yes	Yes	No

Media Type	Read	Write	Rewritable
DVD-R DL	Maybe	No	No
DVD-RAM	Maybe	No	No


Helpful Tips

- Use Microsoft® Windows® Explorer to drag and drop files to a CD-R or CD-RW only after you start Sonic DigitalMedia and open a DigitalMedia project.
- Use CD-Rs to burn music CDs that you want to play in regular stereos. CD-RWs do not play in most home or car stereos.
- You cannot create audio DVDs with Sonic DigitalMedia.
- Music MP3 files can be played only on MP3 players or on computers that have MP3 software installed.
- Commercially available DVD players used in home theater systems may not support all available DVD formats. For a list of formats supported by your DVD player, see the documentation provided with your DVD player or contact the manufacturer.
- Do not burn a blank CD-R or CD-RW to its maximum capacity; for example, do not copy a 650-MB file to a blank 650-MB CD. The CD-RW drive needs 1–2 MB of the blank space to finalize the recording.
- Use a blank CD-RW to practice CD recording until you are familiar with CD recording techniques. If you make a mistake, you can erase the data on the CD-RW and try again. You can also use blank CD-RWs to test music file projects before you record the project permanently to a blank CD-R.
- See the Sonic website at www.sonic.com for additional information.

Network Setup Wizard

The Microsoft® Windows® XP operating system provides a Network Setup Wizard to guide you through the process of sharing files, printers, or an Internet connection between computers in a home or small office.

- 1 Click the **Start** button, point to **All Programs**→**Accessories**→**Communications**, and then click **Network Setup Wizard**.
- 2 On the welcome screen, click **Next**.
- 3 Click **Checklist for creating a network**.

 **NOTE:** Selecting the connection method **This computer connects directly to the Internet** enables the integrated firewall provided with Windows XP SP1.


- 4 Complete the checklist and required preparations.


Return to the Network Setup Wizard and follow the instructions on the screen.

Power Management

Overview

The Microsoft® Windows® XP power management features can reduce the amount of electricity your computer uses when it is on and you are not using it. You can reduce power to just the monitor or the hard drive, or you can use standby mode or hibernate mode to reduce power to the entire computer. When the computer exits from a power conservation mode, the Windows desktop is restored to the state it was in before it entered the mode.

 **NOTE:** Windows XP Professional includes security and networking features not available in Windows XP Home Edition. When a Windows XP Professional computer is connected to a network, different options related to security and networking appear in certain windows.

 **NOTE:** Depending on your operating system, the procedures to activate the standby and hibernate modes may be different.

Standby Mode


Standby mode conserves power by turning off the display and the hard drive after a time-out. When the computer exits from standby mode, it returns to the operating state it was in before it entered standby mode.

To set standby mode to automatically activate after a defined period of inactivity:

- 1 Click the **Start** button and click **Control Panel**.
- 2 Under **Pick a category**, click **Performance and Maintenance**.
- 3 Under or pick a **Control Panel icon**, click **Power Options**.

To immediately activate standby mode without a period of inactivity, click the **Start** button, click **Turn Off Computer**, and then click **Stand by**.

To exit from standby mode, press a key on the keyboard or move the mouse.

 **NOTICE:** If your computer loses power while in standby mode, it may lose data.

Hibernate Mode

Hibernate mode conserves power by copying system data to a reserved area on the hard drive and then completely turning off the computer. When the computer exits from hibernate mode, the desktop is restored to the state it was in before it entered hibernate mode.

To activate hibernate mode:

- 1 Click the **Start** button and click **Control Panel**.
- 2 Under **Pick a category**, click **Performance and Maintenance**.
- 3 Under or pick a **Control Panel icon**, click **Power Options**.
- 4 Define your hibernate settings on the **Power Schemes** tab, **Advanced** tab, and **Hibernate** tab.

To exit from hibernate mode, press the power button. The computer may take a short time to exit from hibernate mode. Pressing a key on the keyboard or moving the mouse does not bring the computer out of hibernation, because the keyboard and the mouse do not function when the computer is in hibernate mode.

Because hibernate mode requires a special file on your hard drive with enough disk space to store the contents of the computer memory, Dell creates an appropriately sized hibernate mode file before shipping the computer to you. If the computer's hard drive becomes corrupted, Windows XP recreates the hibernate file automatically.

Power Options Properties

Define your standby mode settings, hibernate mode settings, and other power settings in the **Power Options Properties** window. To access the **Power Options Properties** window:

- 1 Click the **Start** button and click **Control Panel**.
- 2 Under **Pick a category**, click **Performance and Maintenance**.
- 3 Under or pick a **Control Panel icon**, click **Power Options**.
- 4 Define your power settings on the **Power Schemes** tab, **Advanced** tab, and **Hibernate** tab.


Power Schemes Tab

Each standard power setting is called a scheme. If you want to select one of the standard Windows schemes installed on your computer, choose a scheme from the **Power schemes** drop-down menu. The settings for each scheme appear in the fields below the scheme name. Each scheme has different settings for starting standby mode or hibernate mode, turning off the monitor, and turning off the hard drive.

The **Power schemes** drop-down menu displays the following schemes:


- **Always On (default)** — If you want to use your computer with no power conservation.
- **Home/Office Desk** — If you use your computer as a home or office computer and you require minimal power conservation.
- **Portable/Laptop** — If your computer is a portable computer that you use for traveling.
- **Presentation** — If you want your computer to run without interruption (using no power conservation).
- **Minimal Power Management** — If you want your computer to run with minimal power conservation.
- **Max Battery** — If your computer is a portable computer and you run your computer from batteries for extended periods of time.

If you want to change the default settings for a scheme, click the drop-down menu in the **Turn off monitor**, **Turn off hard disks**, **System stand by**, or **System hibernates** field, and then select a time-out from the displayed list. Changing the time-out for a scheme field permanently changes the default settings for that scheme, unless you click **Save As** and enter a new name for the changed scheme.

 **NOTICE:** If you set the hard drive to time-out before the monitor does, your computer may appear to be locked up. To recover, press any key on the keyboard or click the mouse. To avoid this problem, always set the monitor to time-out before the hard drive.

Advanced Tab

The **Advanced** tab allows you to:

- Place the power options icon  in the Windows taskbar for quick access.
- Set the computer to prompt you for your Windows password before the computer exits from standby mode or hibernate mode.
- Program the power button to activate standby mode, activate hibernate mode, or turn off the computer.

To program these functions, click an option from the corresponding drop-down menu and click **OK**.

Hibernate Tab

The **Hibernate** tab allows you to enable hibernate mode. If you want to use the hibernate settings you defined on the **Power Schemes** tab, click the **Enable hibernate support** check box on the **Hibernate** tab.

For more information on power management options:

- 1** Click the **Start** button and click **Help and Support**.
- 2** In the **Help and Support** window, click **Performance and maintenance**.
- 3** In the **Performance and maintenance** window, click **Conserving power on your computer**.

Optimizing Performance

Hyper-Threading

Hyper-Threading is an Intel® technology that can enhance overall computer performance by allowing one physical processor to function as two logical processors, capable of performing certain tasks simultaneously. It is recommended that you use the Microsoft® Windows® XP Service Pack 1 (SP1) or later operating system because Windows XP is optimized to take advantage of Hyper-Threading technology. While many programs can benefit from Hyper-Threading, some programs have not been optimized for Hyper-Threading and may require an update from the software manufacturer. Contact the software manufacturer for updates and information about using Hyper-Threading with your software.

To determine if your computer is using Hyper-Threading technology:

- 1 Click the **Start** button, right-click **My Computer**, and then click **Properties**.
- 2 Click **Hardware** and click **Device Manager**.
- 3 In the **Device Manager** window, click the plus (+) sign next to **Processors**. If Hyper-Threading is enabled, the processor is listed twice.

You can enable or disable Hyper-Threading through system setup. For more information on accessing system setup, see "System Setup" on page 131. For more information on Hyper-Threading, search the Knowledge Base on the Dell website at support.dell.com.

PCI Express Cards

PCI Express is the next generation technology for graphics cards and PCI cards. The PCI Express x16 slot is used in place of the AGP graphics card slot. The dimensions of PCI Express card slots are different from those of the PCI card slots, and the cards are not interchangeable (you cannot install a PCI card in a PCI Express card slot, or a PCI Express card in a PCI card slot).

Some benefits of PCI Express technology include:

- Greater available bandwidth — PCI Express bus bandwidth is 250 MB/s in each direction per lane simultaneously, while PCI bus bandwidth is 133 MB/s in one direction at a time.
- Prioritization of service — Multiple PCI cards installed in a computer all share a common bus, but each PCI Express card operates on its own channel. Activities such as video conferencing and web camera functions can be automatically prioritized through the device software to reduce latency.

NVIDIA SLI Dual Graphics Technology

With NVIDIA SLI (Scalable Link Interface) dual-graphics technology, an optional second PCI Express graphics card will significantly increase graphics performance on your computer. Benefits of this technology can be seen in the improved portrayal of the 3-D graphics used in gaming and design applications.

Each graphics card includes a GPU (graphics processing unit). The two GPUs dynamically share their workload to provide the best possible performance. For a given application, the SLI software selects the optimum rendering (processing) mode. The two most basic modes are split frame rendering and alternate frame rendering. In split frame rendering, the GPUs divide the work; each GPU renders part of every frame that displays. In the alternate frame rendering mode, each GPU alternately renders the full-screen image.

For more information, see the documentation that came with your graphics card.

Solving Problems

Troubleshooting Tips

Follow these tips when you troubleshoot your computer:

- If you added or removed a part before the problem started, review the installation procedures and ensure that the part is correctly installed.
- If a peripheral device does not work, ensure that the device is properly connected.
- If an error message appears on the screen, write down the exact message. This message may help technical support personnel diagnose and fix the problem(s).

If an error message occurs in a program, see the program's documentation.

Battery Problems



CAUTION: There is a danger of a new battery exploding if it is incorrectly installed. Replace the battery only with the same or equivalent type recommended by the manufacturer. Discard used batteries according to the manufacturer's instructions.



CAUTION: Before you begin any of the procedures in this section, follow the safety instructions located in the *Product Information Guide*.

REPLACE THE BATTERY — If you have to repeatedly reset time and date information after turning on the computer, or if an incorrect time or date displays during start-up, replace the battery (see "Replacing the Battery" on page 124). If the battery still does not work properly, contact Dell (see "Contacting Dell" on page 142).

Drive Problems



CAUTION: Before you begin any of the procedures in this section, follow the safety instructions located in the *Product Information Guide*.

ENSURE THAT MICROSOFT® WINDOWS® RECOGNIZES THE DRIVE — Click the **Start** button and click **My Computer**. If the floppy, CD, or DVD drive, is not listed, perform a full scan with your antivirus software to check for and remove viruses. Viruses can sometimes prevent Windows from recognizing the drive.

TEST THE DRIVE —

- Insert another floppy disk, CD, or DVD to eliminate the possibility that the original one is defective.
- Insert a bootable floppy disk and restart the computer.


CLEAN THE DRIVE OR DISK — See "Cleaning Your Computer" on page 139.


CHECK THE CABLE CONNECTIONS

RUN THE HARDWARE TROUBLESHOOTER — See "Resolving Software and Hardware Incompatibilities" on page 64.

RUN THE DELL DIAGNOSTICS — See "Dell Diagnostics" on page 58.

CD and DVD drive problems

 **NOTE:** High-speed CD or DVD drive vibration is normal and may cause noise, which does not indicate a defect in the drive or the CD or DVD.

 **NOTE:** Because of different regions worldwide and different disc formats, not all DVD titles work in all DVD drives.

ADJUST THE WINDOWS VOLUME CONTROL —

- Click the speaker icon in the lower-right corner of your screen.
- Ensure that the volume is turned up by clicking the sidebar and dragging it up.
- Ensure that the sound is not muted by clicking any boxes that are checked.

CHECK THE SPEAKERS AND SUBWOOFER — See "Sound and Speaker Problems" on page 51.

Problems writing to a CD/DVD-RW drive

CLOSE OTHER PROGRAMS — The CD/DVD-RW drive must receive a steady stream of data when writing. If the stream is interrupted, an error occurs. Try closing all programs before you write to the CD/DVD-RW.

TURN OFF STANDBY MODE IN WINDOWS BEFORE WRITING TO A CD/DVD-RW DISC — See "Standby Mode" on page 33 or search for the keyword *standby* in Windows Help and Support Center. For information on power management modes. For information on accessing window Help, see "Windows Help and Support Center" on page 12.

Hard drive problems

RUN CHECK DISK —

- 1 Click the **Start** button and click **My Computer**.
- 2 Right-click **Local Disk C:**.
- 3 Click **Properties**.
- 4 Click the **Tools** tab.
- 5 Under **Error-checking**, click **Check Now**.
- 6 Click **Scan for and attempt recovery of bad sectors**.
- 7 Click **Start**.

E-Mail, Modem, and Internet Problems



CAUTION: Before you begin any of the procedures in this section, follow the safety instructions located in the *Product Information Guide*.



NOTE: Connect the modem to an analog telephone jack only. The modem does not operate while it is connected to a digital telephone network.

CHECK THE MICROSOFT OUTLOOK® EXPRESS SECURITY SETTINGS — If you cannot open your e-mail attachments:

- 1 In Outlook Express, click **Tools**, click **Options**, and then click **Security**.
- 2 Click **Do not allow attachments** to remove the checkmark.

CHECK THE TELEPHONE LINE CONNECTION —**CHECK THE TELEPHONE JACK —****CONNECT THE MODEM DIRECTLY TO THE TELEPHONE WALL JACK —****USE A DIFFERENT TELEPHONE LINE —**

- Verify that the telephone line is connected to the jack on the modem. (The jack has either a green label or a connector-shaped icon next to it.)
- Ensure that you hear a click when you insert the telephone line connector into the modem.
- Disconnect the telephone line from the modem and connect it to a telephone. Listen for a dial tone.
- If you have other telephone devices sharing the line, such as an answering machine, fax machine, surge protector, or line splitter, then bypass them and use the telephone to connect the modem directly to the telephone wall jack. If you are using a line that is 3 m (10 ft) or more in length, try a shorter one.

RUN THE MODEM HELPER DIAGNOSTICS — Click the **Start** button, point to **All Programs**, and then click **Modem Helper**. Follow the instructions on the screen to identify and resolve modem problems. (Modem Helper is not available on all computers.)

VERIFY THAT THE MODEM IS COMMUNICATING WITH WINDOWS —

- 1 Click the **Start** button and click **Control Panel**.
 - 2 Click **Printers and Other Hardware**.
 - 3 Click **Phone and Modem Options**.
 - 4 Click the **Modems** tab.
 - 5 Click the COM port for your modem.
 - 6 Click **Properties**, click the **Diagnostics** tab, and then click **Query Modem** to verify that the modem is communicating with Windows.
- If all commands receive responses, the modem is operating properly.

ENSURE THAT YOU ARE CONNECTED TO THE INTERNET — Ensure that you have subscribed to an Internet provider. With the Outlook Express e-mail program open, click **File**. If **Work Offline** has a checkmark next to it, click the checkmark to remove it and connect to the Internet. For help, contact your Internet service provider.

Error Messages



CAUTION: Before you begin any of the procedures in this section, follow the safety instructions located in the *Product Information Guide*.

If the message is not listed, see the documentation for the operating system or the program that was running when the message appeared.

A FILENAME CANNOT CONTAIN ANY OF THE FOLLOWING CHARACTERS: \ / : * ? " < > | — Do not use these characters in filenames.

A REQUIRED .DLL FILE WAS NOT FOUND — The program that you are trying to open is missing an essential file. To remove and then reinstall the program:

- 1 Click the **Start** button, click **Control Panel**, and then click **Add or Remove Programs**.
- 2 Select the program you want to remove.
- 3 Click the **Change or Remove Program** icon.
- 4 See the program documentation for installation instructions.

drive letter:\ IS NOT ACCESSIBLE. THE DEVICE IS NOT READY — The drive cannot read the disk. Insert a disk into the drive and try again.

INSERT BOOTABLE MEDIA — Insert a bootable floppy disk or CD.

NON-SYSTEM DISK ERROR — Remove the floppy disk from the drive and restart your computer.

NOT ENOUGH MEMORY OR RESOURCES. CLOSE SOME PROGRAMS AND TRY AGAIN — Close all windows and open the program that you want to use. In some cases, you might have to restart your computer to restore computer resources. If so, run the program that you want to use first.

OPERATING SYSTEM NOT FOUND — Contact Dell (see "Contacting Dell" on page 142).

IEEE 1394 Device Problems



CAUTION: Before you begin any of the procedures in this section, follow the safety instructions located in the *Product Information Guide*.

ENSURE THAT THE CABLE FOR THE IEEE 1394 DEVICE IS PROPERLY INSERTED INTO THE DEVICE AND INTO THE CONNECTOR ON THE COMPUTER

ENSURE THAT THE IEEE 1394 DEVICE IS ENABLED WITHIN SYSTEM SETUP — See "System Setup Options" on page 132.

ENSURE THAT THE IEEE 1394 DEVICE IS RECOGNIZED BY WINDOWS —

- 1 Click the Start button and click Control Panel.
- 2 Click Printers and Other Hardware.
If your IEEE 1394 device is listed, Windows recognizes the device.

IF YOU HAVE PROBLEMS WITH A DELL IEEE 1394 DEVICE — Contact Dell (see "Contacting Dell" on page 142).

IF YOU HAVE PROBLEMS WITH AN IEEE 1394 DEVICE NOT PROVIDED BY DELL — Contact the IEEE 1394 device manufacturer.

Keyboard Problems



CAUTION: Before you begin any of the procedures in this section, follow the safety instructions located in the *Product Information Guide*.

CHECK THE KEYBOARD CABLE —

- Ensure that the keyboard cable is firmly connected to the computer.
- Shut down the computer (see "Turning Off Your Computer" on page 69), reconnect the keyboard cable as shown on the setup diagram for your computer, and then restart the computer.
- Check the cable connector for bent or broken pins and for damaged or frayed cables. Straighten bent pins.
- Remove keyboard extension cables and connect the keyboard directly to the computer.

TEST THE KEYBOARD — Connect a properly working keyboard to the computer, and try using the keyboard.

RUN THE HARDWARE TROUBLESHOOTER — See "Resolving Software and Hardware Incompatibilities" on page 64.

Lockups and Software Problems




CAUTION: Before you begin any of the procedures in this section, follow the safety instructions located in the *Product Information Guide*.

The computer does not start up

CHECK THE DIAGNOSTIC LIGHTS — See "Diagnostic Lights" on page 55.

ENSURE THAT THE POWER CABLE IS FIRMLY CONNECTED TO THE COMPUTER AND TO THE ELECTRICAL OUTLET

The computer stops responding

 **NOTICE:** You might lose data if you are unable to perform an operating system shutdown.

TURN THE COMPUTER OFF — If you are unable to get a response by pressing a key on your keyboard or moving your mouse, press and hold the power button for at least 8 to 10 seconds until the computer turns off. Then restart your computer.

A program stops responding

END THE PROGRAM —

- 1 Press <Ctrl><Shift><Esc> simultaneously.
- 2 Click Applications.
- 3 Click the program that is no longer responding.
- 4 Click End Task.

A program crashes repeatedly

 **NOTE:** Software usually includes installation instructions in its documentation or on a floppy disk or CD.

CHECK THE SOFTWARE DOCUMENTATION — If necessary, uninstall and then reinstall the program.

A program is designed for an earlier Windows operating system

RUN THE PROGRAM COMPATIBILITY WIZARD —

The Program Compatibility Wizard configures a program so that it runs in an environment similar to non-Windows XP operating system environments.

- 1 Click the **Start** button, point to **All Programs**→ **Accessories**, and then click **Program Compatibility Wizard**.
- 2 In the welcome screen, click **Next**.
- 3 Follow the instructions on the screen.

A solid blue screen appears

TURN THE COMPUTER OFF — If you are unable to get a response by pressing a key on your keyboard or moving your mouse, press and hold the power button for at least 8 to 10 seconds until the computer turns off. Then restart your computer.

Other software problems

CHECK THE SOFTWARE DOCUMENTATION OR CONTACT THE SOFTWARE MANUFACTURER FOR TROUBLESHOOTING INFORMATION —

- Ensure that the program is compatible with the operating system installed on your computer.
- Ensure that your computer meets the minimum hardware requirements needed to run the software. See the software documentation for information.
- Ensure that the program is installed and configured properly.
- Verify that the device drivers do not conflict with the program.
- If necessary, uninstall and then reinstall the program.

BACK UP YOUR FILES IMMEDIATELY

USE A VIRUS-SCANNING PROGRAM TO CHECK THE HARD DRIVE, FLOPPY DISKS, OR CDS

SAVE AND CLOSE ANY OPEN FILES OR PROGRAMS AND SHUT DOWN YOUR COMPUTER THROUGH THE START MENU

Memory Problems



CAUTION: Before you begin any of the procedures in this section, follow the safety instructions located in the *Product Information Guide*.

IF YOU RECEIVE AN INSUFFICIENT MEMORY MESSAGE —

- Save and close any open files and exit any open programs you are not using to see if that resolves the problem.
- See the software documentation for minimum memory requirements. If necessary, install additional memory (see "Minimum memory" on page 127).
- Reseat the memory modules (see "Memory" on page 79) to ensure that your computer is successfully communicating with the memory.
- Run the Dell Diagnostics (see "Dell Diagnostics" on page 58).

IF YOU EXPERIENCE OTHER MEMORY PROBLEMS —

- Reseat the memory modules (see "Memory" on page 79) to ensure that your computer is successfully communicating with the memory.
- Ensure that you are following the memory installation guidelines (see "Installing Memory" on page 80).
- Your computer supports DDR2 memory. For more information about the type of memory supported by your computer, see "Memory" on page 127.
- Run the Dell Diagnostics (see "Dell Diagnostics" on page 58).

Mouse Problems



CAUTION: Before you begin any of the procedures in this section, follow the safety instructions located in the *Product Information Guide*.

CHECK THE MOUSE CABLE —

- 1 Check the cable connector for bent or broken pins and for damaged or frayed cables. Straighten bent pins.
- 2 Remove mouse extension cables, if used, and connect the mouse directly to the computer.
- 3 Shut down the computer (see "Turning Off Your Computer" on page 69), reconnect the mouse cable as shown on the setup diagram for your computer, and then restart the computer.

RESTART THE COMPUTER —

- 1 Simultaneously press <Ctrl><Esc> to display the **Start** menu.
- 2 Type u, press the keyboard arrow keys to highlight **Shut down** or **Turn Off**, and then press <Enter>.
- 3 After the computer turns off, reconnect the mouse cable as shown on the setup diagram for your computer.
- 4 Start the computer.

TEST THE MOUSE — Connect a properly working mouse to the computer, and try using the mouse.

CHECK THE MOUSE SETTINGS —

- 1 Click the **Start** button, click **Control Panel**, and then click **Printers and Other Hardware**.
- 2 Click **Mouse**.
- 3 Try adjusting the settings.

REINSTALL THE MOUSE DRIVER — See "Reinstalling Drivers" on page 61.

RUN THE HARDWARE TROUBLESHOOTER — See "Resolving Software and Hardware Incompatibilities" on page 64.

Network Problems



CAUTION: Before you begin any of the procedures in this section, follow the safety instructions located in the *Product Information Guide*.

CHECK THE NETWORK CABLE CONNECTOR — Ensure that the network cable is firmly inserted into both the network connector on the back of the computer and the network jack.

CHECK THE NETWORK LIGHTS ON THE BACK OF THE COMPUTER — If the link integrity light is off, that indicates no network communication exists. Replace the network cable. For a description of network lights, see "Connectors" on page 129.

RESTART THE COMPUTER AND LOG ON TO THE NETWORK AGAIN

CHECK YOUR NETWORK SETTINGS — Contact your network administrator or the person who set up your network to verify that your network settings are correct and that the network is functioning.

RUN THE HARDWARE TROUBLESHOOTER — See "Resolving Software and Hardware Incompatibilities" on page 64.

Power Problems



CAUTION: Before you begin any of the procedures in this section, follow the safety instructions located in the *Product Information Guide*.

IF THE POWER LIGHT IS GREEN AND THE COMPUTER IS NOT RESPONDING — See "Diagnostic Lights" on page 55.

IF THE POWER LIGHT IS BLINKING GREEN — The computer is in standby mode. Press a key on the keyboard, move the mouse, or press the power button to resume normal operation.

IF THE POWER LIGHT IS OFF — The computer is either turned off or is not receiving power.

- Reseat the power cable into both the power connector on the back of the computer and the electrical outlet.
- If the computer is plugged into a power strip, ensure that the power strip is plugged into an electrical outlet and that the power strip is turned on. Also bypass power protection devices, power strips, and power extension cables to verify that the computer turns on properly.
- Ensure that the electrical outlet is working by testing it with another device, such as a lamp.
- Ensure that the main power cable and front panel cable are securely connected to the system board (see "System Board Components" on page 78).

IF THE POWER LIGHT IS BLINKING AMBER — The computer is receiving electrical power, but an internal power problem might exist.

- Ensure that the voltage selection switch is set to match the AC power at your location (if applicable).

IF THE POWER LIGHT IS STEADY AMBER — A device might be malfunctioning or incorrectly installed.

- Ensure that the processor power cable is securely connected to the system board power connector (POWER12V) (see "System Board Components" on page 78).
- Remove and then reinstall the memory modules (see "Memory" on page 79).
- Remove and then reinstall any cards (see "Removing PCI and PCI Express Cards" on page 89).
- Remove and then reinstall the graphics card, if applicable (see "Removing PCI and PCI Express Cards" on page 89).

ELIMINATE INTERFERENCE — Some possible causes of interference are:

- Power, keyboard, and mouse extension cables
- Too many devices on a power strip
- Multiple power strips connected to the same electrical outlet

Printer Problems



CAUTION: Before you begin any of the procedures in this section, follow the safety instructions located in the *Product Information Guide*.



NOTE: If you need technical assistance for your printer, contact the printer's manufacturer.

CHECK THE PRINTER DOCUMENTATION — See the printer documentation for setup and troubleshooting information.

ENSURE THAT THE PRINTER IS TURNED ON

CHECK THE PRINTER CABLE CONNECTIONS —

- See the printer documentation for cable connection information.
- Ensure that the printer cables are securely connected to the printer and the computer.

TEST THE ELECTRICAL OUTLET — Ensure that the electrical outlet is working by testing it with another device, such as a lamp.

VERIFY THAT THE PRINTER IS RECOGNIZED BY WINDOWS —

1 Click the **Start** button, click **Control Panel**, and then click **Printers and Other Hardware**.

2 Click **View installed printers or fax printers**.


If the printer is listed, right-click the printer icon.

3 Click **Properties** and click the **Ports** tab. For a parallel printer, ensure that the **Print to the following port(s):** setting is **LPT1 (Printer Port)**. For a USB printer, ensure that the **Print to the following port(s):** setting is **USB**.

REINSTALL THE PRINTER DRIVER — See the printer documentation for instructions.

Scanner Problems

 **CAUTION:** Before you begin any of the procedures in this section, follow the safety instructions located in the *Product Information Guide*.

 **NOTE:** If you need technical assistance for your scanner, contact the scanner's manufacturer.

CHECK THE SCANNER DOCUMENTATION — See the scanner documentation for setup and troubleshooting information.

UNLOCK THE SCANNER — Ensure that your scanner is unlocked if it has a locking tab or button.

RESTART THE COMPUTER AND TRY THE SCANNER AGAIN

CHECK THE CABLE CONNECTIONS —

- See the scanner documentation for cable connection information.
- Ensure that the scanner cables are securely connected to the scanner and the computer.

VERIFY THAT THE SCANNER IS RECOGNIZED BY MICROSOFT WINDOWS —

1 Click the Start button, click Control Panel, and then click Printers and Other Hardware.

2 Click Scanners and Cameras.


If your scanner is listed, Windows recognizes the scanner.

REINSTALL THE SCANNER DRIVER — See the scanner documentation for instructions.

Sound and Speaker Problems

 **CAUTION:** Before you begin any of the procedures in this section, follow the safety instructions located in the *Product Information Guide*.

No sound from speakers

 **NOTE:** The volume control in some MP3 players overrides the Windows volume setting. If you have been listening to MP3 songs, ensure that you did not turn the player volume down or off.

CHECK THE SPEAKER CABLE CONNECTIONS — Ensure that the speakers are connected as shown on the setup diagram supplied with the speakers. If you purchased a sound card, ensure that the speakers are connected to the card.

ENSURE THAT THE SUBWOOFER AND THE SPEAKERS ARE TURNED ON — See the setup diagram supplied with the speakers. If your speakers have volume controls, adjust the volume, bass, or treble to eliminate distortion.

ADJUST THE WINDOWS VOLUME CONTROL — Click or double-click the speaker icon in the lower-right corner of your screen. Ensure that the volume is turned up and that the sound is not muted.

DISCONNECT HEADPHONES FROM THE HEADPHONE CONNECTOR — Sound from the speakers is automatically disabled when headphones are connected to the computer's front-panel headphone connector.

TEST THE ELECTRICAL OUTLET — Ensure that the electrical outlet is working by testing it with another device, such as a lamp.

ELIMINATE POSSIBLE INTERFERENCE — Turn off nearby fans, fluorescent lights, or halogen lamps to check for interference.

RUN THE SPEAKER DIAGNOSTICS

REINSTALL THE SOUND DRIVER — See "Drivers" on page 60.

RUN THE HARDWARE TROUBLESHOOTER — See "Resolving Software and Hardware Incompatibilities" on page 64.

No sound from headphones

CHECK THE HEADPHONE CABLE CONNECTION — Ensure that the headphone cable is securely inserted into the headphone connector (see "Front View (Doors Open)" on page 72).

ADJUST THE WINDOWS VOLUME CONTROL — Click or double-click the speaker icon in the lower-right corner of your screen. Ensure that the volume is turned up and that the sound is not muted.

Video and Monitor Problems



CAUTION: Before you begin any of the procedures in this section, follow the safety instructions located in the *Product Information Guide*.

If the screen is blank



NOTE: See the monitor documentation for troubleshooting procedures.

CHECK THE MONITOR CABLE CONNECTION —

- If you have the optional second PCI-Express graphics card, ensure that the monitor cable is connected to the correct card.
- If you have the optional DVI adapter, ensure that it is correctly attached to the graphics card.
- Ensure that the monitor cable is connected as shown on the setup diagram for your computer.
- If you are using an extension cable and removing the cable solves the problem, the cable is defective.
- Swap the computer and monitor power cables to determine if the power cable is defective.
- Check the connector for bent or broken pins. (It is normal for monitor cable connectors to have missing pins.)

CHECK THE MONITOR POWER LIGHT — If the power light is off, firmly press the button to ensure that the monitor is turned on. If the power light is lit or blinking, the monitor has power. If the power light is blinking, press a key on the keyboard or move the mouse.

TEST THE ELECTRICAL OUTLET — Ensure that the electrical outlet is working by testing it with another device, such as a lamp.

CHECK THE DIAGNOSTIC LIGHTS — See "Diagnostic Lights" on page 55.

If the screen is difficult to read

CHECK THE MONITOR SETTINGS — See the monitor documentation for instructions on adjusting the contrast and brightness, demagnetizing (degaussing) the monitor, and running the monitor self-test.

MOVE THE SUBWOOFER AWAY FROM THE MONITOR — If your speaker system includes a subwoofer, ensure that the subwoofer is at least 60 cm (2 ft) away from the monitor.

MOVE THE MONITOR AWAY FROM EXTERNAL POWER SOURCES — Fans, fluorescent lights, halogen lamps, and other electrical devices can cause the screen image to appear "shaky." Turn off nearby devices to check for interference.

ROTATE THE MONITOR TO ELIMINATE SUNLIGHT GLARE AND POSSIBLE INTERFERENCE

ADJUST THE WINDOWS DISPLAY SETTINGS —

- 1 Click the **Start** button, click **Control Panel**, and then click **Appearance and Themes**.
- 2 Click **Display** and click the **Settings** tab.
- 3 Try different settings for **Screen resolution** and **Color quality**.

If 3-D image quality is poor

CHECK THE GRAPHICS CARD POWER CABLE CONNECTION — Ensure that the power cable for each graphics card is correctly attached to the card.




CHECK THE MONITOR SETTINGS — See the monitor documentation for instructions on adjusting the contrast and brightness, demagnetizing (degaussing) the monitor, and running the monitor self-test.






Advanced Troubleshooting




Diagnostic Lights

 **CAUTION:** Before you begin any of the procedures in this section, follow the safety instructions located in the *Product Information Guide*.

To help you troubleshoot a problem, your computer has four lights labeled "1," "2," "3," and "4" on the front panel (see "Front View (Doors Open)" on page 72). When the computer starts normally, the lights flash. After the computer starts, all four lights display solid green. If the computer malfunctions, the color and sequence of the lights identify the problem.

Light Pattern	Problem Description	Suggested Resolution
	The computer is in a normal "off" condition or a possible pre-BIOS failure has occurred. The diagnostic lights are not lit after the system successfully boots to the operating system.	Plug the computer into a working electrical outlet. Also see "Power Problems" on page 49.
	A possible processor failure has occurred.	Reinstall the processor (see "Processor" on page 113) and restart the computer.
	Memory modules are detected, but a memory failure has occurred.	<ul style="list-style-type: none"> • If you have two or more memory modules installed, remove the modules, reinstall one module (see "Installing Memory" on page 80), and then restart the computer. If the computer starts normally, reinstall an additional module. Continue until you have identified a faulty module or reinstalled all modules without error. • If available, install properly working memory of the same type into your computer (see "Installing Memory" on page 80). • If the problem persists, contact Dell (see "Contacting Dell" on page 142).

Light Pattern	Problem Description	Suggested Resolution
	A possible graphics card failure has occurred.	<ul style="list-style-type: none"> • If the computer has a graphics card, remove the card (see "Removing PCI and PCI Express Cards" on page 89), reinstall it, and then restart the computer. • If the problem still exists, install a graphics card that you know works and restart the computer. • If the problem persists, contact Dell (see "Contacting Dell" on page 142).
	A possible floppy drive or hard drive failure has occurred.	Reseat all power and data cables and restart the computer.
	A possible USB failure has occurred.	Reinstall all USB devices, check cable connections, and then restart the computer.
	No memory modules are detected.	<ul style="list-style-type: none"> • If you have two or more memory modules installed, remove the modules, reinstall one module (see "Installing Memory" on page 80), and then restart the computer. If the computer starts normally, reinstall an additional module. Continue until you have identified a faulty module or reinstalled all modules without error. • If available, install properly working memory of the same type into your computer (see "Installing Memory" on page 80). • If the problem persists, contact Dell (see "Contacting Dell" on page 142).
	Memory modules are detected, but a memory configuration or compatibility error exists.	<ul style="list-style-type: none"> • Ensure that no special memory module/memory connector placement requirements exist (see "Memory" on page 79). • Verify that the memory modules that you are installing are compatible with your computer (see "Memory" on page 79). • If the problem persists, contact Dell (see "Contacting Dell" on page 142).


Light Pattern	Problem Description	Suggested Resolution
	A possible expansion card failure has occurred.	<ol style="list-style-type: none"> 1 Determine if a conflict exists by removing a card (not a graphics card) and restarting the computer (see "Removing PCI and PCI Express Cards" on page 89). 2 If the problem persists, reinstall the card that you removed, remove a different card, and then restart the computer. 3 Repeat this process for each card. If the computer starts normally, troubleshoot the last card removed from the computer for resource conflicts (see "Resolving Software and Hardware Incompatibilities" on page 64). 4 If the problem persists, contact Dell (see "Contacting Dell" on page 142).
	Another failure has occurred.	<ul style="list-style-type: none"> • Ensure that the cables are properly connected to the system board from the hard drive, CD drive, and DVD drive (see "System Board Components" on page 78). • If there is an error message on your screen identifying a problem with a device (such as the floppy drive or hard drive), check the device to make sure it is functioning properly. • The operating system is attempting to boot from a device (such as the floppy drive or hard drive); check system setup (see "System Setup" on page 131) to make sure the boot sequence is correct for the devices installed on your computer. • If the problem persists, contact Dell (see "Contacting Dell" on page 142).
	The computer is in a normal operating condition after POST.	None.

Dell Diagnostics

 **CAUTION:** Before you begin any of the procedures in this section, follow the safety instructions located in the *Product Information Guide*.

When to Use the Dell Diagnostics


If you experience a problem with your computer, perform the checks in "Solving Problems" on page 39 and run the Dell Diagnostics before you contact Dell for technical assistance.

 **NOTICE:** The Dell Diagnostics works only on Dell™ computers.

Start the Dell Diagnostics from either your hard drive (see "Dell Diagnostics" on page 58) or from the *Dell ResourceCD*.

Starting the Dell Diagnostics From Your Hard Drive

- 1 Turn on (or restart) your computer.
- 2 When the DELL™ logo appears, press <F12> immediately.

 **NOTE:** If you see a message stating that no diagnostics utility partition has been found, run the Dell Diagnostics from your ResourceCD (see "Starting the Dell Diagnostics From the ResourceCD" on page 58).


If you wait too long and the operating system logo appears, continue to wait until you see the Microsoft® Windows® desktop. Then shut down your computer (see "Turning Off Your Computer" on page 69) and try again.

- 3 When the boot device list appears, highlight **Boot to Utility Partition** and press <Enter>.
- 4 When the Dell Diagnostics **Main Menu** appears, select the test you want to run (see "Dell Diagnostics Main Menu" on page 59).

Starting the Dell Diagnostics From the ResourceCD

- 1 Insert the ResourceCD.
- 2 Shut down and restart the computer (see "Turning Off Your Computer" on page 69).
When the DELL logo appears, press <F12> immediately.

If you wait too long and the Windows logo appears, continue to wait until you see the Windows desktop. Then shut down your computer (see "Turning Off Your Computer" on page 69) and try again.

 **NOTE:** The next steps change the boot sequence for one time only. On the next start-up, the computer boots according to the devices specified in system setup.

- 3 When the boot device list appears, highlight **IDE CD-ROM Device** and press <Enter>.
- 4 Select the **IDE CD-ROM Device** option from the CD boot menu.
- 5 Select the **Boot from CD-ROM** option from the menu that appears.

- 6 Type 1 to start the ResourceCD menu.
- 7 Type 2 to start the Dell Diagnostics.
- 8 Select **Run the 32 Bit Dell Diagnostics** from the numbered list. If multiple versions are listed, select the version appropriate for your computer.
- 9 When the Dell Diagnostics **Main Menu** appears, select the test you want to run (see "Dell Diagnostics Main Menu" on page 59).


Dell Diagnostics Main Menu

- 1 After the Dell Diagnostics loads and the **Main Menu** screen appears, click the button for the option you want.

Option	Function
Express Test	Performs a quick test of devices. This test typically takes 10 to 20 minutes and requires no interaction on your part. Run Express Test first to increase the possibility of tracing the problem quickly.
Extended Test	Performs a thorough check of devices. This test typically takes an hour or more and requires you to answer questions periodically.
Custom Test	Tests a specific device. You can customize the tests you want to run.
Symptom Tree	Lists the most common symptoms encountered and allows you to select a test based on the symptom of the problem you are having.

- 2 If a problem is encountered during a test, a message appears with an error code and a description of the problem. Write down the error code and problem description and follow the instructions on the screen.

If you cannot resolve the error condition, contact Dell (see "Contacting Dell" on page 142).

 **NOTE:** The Service Tag for your computer is located at the top of each test screen. If you contact Dell, technical support will ask for your Service Tag.

- 3 If you run a test from the **Custom Test** or **Symptom Tree** option, click the applicable tab described in the following table for more information.

Tab	Function
Results	Displays the results of the test and any error conditions encountered.
Errors	Displays error conditions encountered, error codes, and the problem description.

Tab	Function
Help	Describes the test and may indicate requirements for running the test.
Configuration	Displays your hardware configuration for the selected device. The Dell Diagnostics obtains configuration information for all devices from system setup, memory, and various internal tests, and it displays the information in the device list in the left pane of the screen. The device list may not display the names of all the components installed on your computer or all devices attached to your computer.
Parameters	Allows you to customize the test by changing the test settings.

- 4 When the tests are completed, if you are running the Dell Diagnostics from the ResourceCD, remove the CD.
- 5 Close the test screen to return to the **Main Menu** screen. To exit the Dell Diagnostics and restart the computer, close the **Main Menu** screen.


Drivers

What Is a Driver?

A driver is a program that controls a device such as a printer, mouse, or keyboard. All devices require a driver program.

A driver acts like a translator between the device and any other programs that use the device. Each device has its own set of specialized commands that only its driver recognizes.

Dell ships your computer to you with required drivers already installed—no further installation or configuration is needed.

 **NOTICE:** The *Dell ResourceCD* may contain drivers for operating systems that are not on your computer. Ensure that you are installing software appropriate for your operating system.

Many drivers, such as the keyboard driver, come with your Microsoft® Windows® operating system. You may need to install drivers if you:

- Upgrade your operating system.
- Reinstall your operating system.
- Connect or install a new device.

Identifying Drivers

If you experience a problem with any device, identify whether the driver is the source of your problem and, if necessary, update the driver.

Windows XP

- 1 Click the **Start** button and click **Control Panel**.
- 2 Under **Pick a Category**, click **Performance and Maintenance**.
- 3 Click **System**.
- 4 In the **System Properties** window, click the **Hardware** tab.
- 5 Click **Device Manager**.
- 6 Scroll down the list to see if any device has an exclamation point (a yellow circle with a [!]) on the device icon.

If an exclamation point is next to the device name, you may need to reinstall the driver or install a new driver (see "Drivers" on page 60).

Reinstalling Drivers



NOTICE: The Dell Support website at support.dell.com and your *Dell ResourceCD* provide approved drivers for Dell™ computers. If you install drivers obtained from other sources, your computer might not work correctly.

Using Windows XP Device Driver Rollback

If a problem occurs on your computer after you install or update a driver, use Windows XP Device Driver Rollback to replace the driver with the previously installed version.

- 1 Click the **Start** button and click **Control Panel**.
- 2 Under **Pick a Category**, click **Performance and Maintenance**.
- 3 Click **System**.
- 4 In the **System Properties** window, click the **Hardware** tab.
- 5 Click **Device Manager**.
- 6 Right-click the device for which the new driver was installed and click **Properties**.
- 7 Click the **Drivers** tab.
- 8 Click **Roll Back Driver**.


If Device Driver Rollback does not resolve the problem, then use System Restore to return your computer to the operating state that existed before you installed the new driver.

Using the ResourceCD

If using Device Driver Rollback or System Restore does not resolve the problem, then reinstall the driver from the ResourceCD.

- 1 With the Windows desktop displayed, insert the ResourceCD.
If this is your first time to use the ResourceCD, go to step 2. If not, go to step 5.
- 2 When the ResourceCD installation program starts, follow the prompts on the screen.

- 3 When the **InstallShield Wizard Complete** window appears, remove the ResourceCD and click **Finish** to restart the computer.
- 4 When you see the Windows desktop, reinsert the ResourceCD.
- 5 At the **Welcome Dell System Owner** screen, click **Next**.

 **NOTE:** The ResourceCD displays drivers only for hardware that came installed in your computer. If you installed additional hardware, the drivers for the new hardware might not be displayed by the ResourceCD. If those drivers are not displayed, exit the ResourceCD program. For drivers information, see the documentation that came with the device.

A message stating that the ResourceCD is detecting hardware in your computer appears.

The drivers that are used by your computer are automatically displayed in the **My Drivers—The ResourceCD has identified these components in your system** window.

- 6 Click the driver that you want to reinstall and follow the instructions on the screen.


If a particular driver is not listed, then that driver is not required by your operating system.

Manually Reinstalling Drivers

- 1 After extracting the driver files to your hard drive as described in the previous section, click the **Start** button and right-click **My Computer**.
- 2 Click **Properties**.
- 3 Click the **Hardware** tab and click **Device Manager**.
- 4 Double-click the type of device for which you are installing the driver.
- 5 Double-click the name of the device for which you are installing the driver.
- 6 Click the **Driver** tab and click **Update Driver**.
- 7 Click **Install from a list or specific location (Advanced)** and click **Next**.
- 8 Click **Browse** and browse to the location to which you previously extracted the driver files.
- 9 When the name of the appropriate driver appears, click **Next**.
- 10 Click **Finish** and restart your computer.

Using Microsoft® Windows® XP System Restore

The Microsoft® Windows® XP operating system provides System Restore to allow you to return your computer to an earlier operating state (without affecting data files) if changes to the hardware, software, or other system settings have left the computer in an undesirable operating state. See the Windows Help and Support Center for information on using System Restore. To access help, see "Windows Help and Support Center" on page 12.


 **NOTICE:** Make regular backups of your data files. System Restore does not monitor your data files or recover them.

Creating a Restore Point

- 1 Click the **Start** button and click **Help and Support**.
- 2 Click **System Restore**.
- 3 Follow the instructions on the screen.

Restoring the Computer to an Earlier Operating State

If problems occur after you install a device driver, use Device Driver Rollback (see "Using Windows XP Device Driver Rollback" on page 61) to resolve the problem. If that is unsuccessful, then use System Restore.

 **NOTICE:** Before you restore the computer to an earlier operating state, save and close any open files and exit any open programs. Do not alter, open, or delete any files or programs until the system restoration is complete.

- 1 Click the **Start** button, point to **All Programs**→**Accessories**→**System Tools**, and then click **System Restore**.
- 2 Ensure that **Restore my computer to an earlier time** is selected and click **Next**.
- 3 Click a calendar date to which you want to restore your computer.

The **Select a Restore Point** screen provides a calendar that allows you to see and select restore points. All calendar dates with available restore points appear in boldface type.

- 4 Select a restore point and click **Next**.

If a calendar date has only one restore point, then that restore point is automatically selected. If two or more restore points are available, click the restore point that you prefer.


- 5 Click **Next**.

The **Restoration Complete** screen appears after System Restore finishes collecting data and then the computer restarts.

- 6 After the computer restarts, click **OK**.

To change the restore point, you can either repeat the steps using a different restore point, or you can undo the restoration.

Undoing the Last System Restore

 **NOTICE:** Before you undo the last system restore, save and close all open files and exit any open programs. Do not alter, open, or delete any files or programs until the system restoration is complete.

- 1 Click the **Start** button, point to **All Programs**→**Accessories**→**System Tools**, and then click **System Restore**.
- 2 Click **Undo my last restoration** and click **Next**.

- 3 Click **Next**.

The **System Restore** screen appears and the computer restarts.

- 4 After the computer restarts, click **OK**.

Enabling System Restore

If you reinstall Windows XP with less than 200 MB of free hard-disk space available, System Restore is automatically disabled. To see if System Restore is enabled:

- 1 Click the **Start** button and click **Control Panel**.
- 2 Click **Performance and Maintenance**.
- 3 Click **System**.
- 4 Click the **System Restore** tab.
- 5 Ensure that **Turn off System Restore** is unchecked.

Resolving Software and Hardware Incompatibilities

If a device is either not detected during the operating system setup or is detected but incorrectly configured, you can use the Hardware Troubleshooter to resolve the incompatibility.

To resolve incompatibilities using the Hardware Troubleshooter:


- 1 Click the **Start** button and click **Help and Support**.
- 2 Type `hardware troubleshooter` in the **Search** field and click the arrow to start the search.
- 3 Click **Hardware Troubleshooter** in the **Search Results** list.
- 4 In the **Hardware Troubleshooter** list, click **I need to resolve a hardware conflict on my computer**, and click **Next**.

Reinstalling Microsoft® Windows® XP

- ➔ **NOTICE:** You must use Windows XP Service Pack 1 (SP1) or later when you reinstall Windows XP.
- ➔ **NOTICE:** If, after installing the operating system, you may ever wish to use a specific hard drive in an array, you must create a single drive RAID 0 array when installing the operating system. See "Creating an Array using the Nvidia MediaShield ROM Utility" on page 23 for instructions.


Before You Begin

If you are considering reinstalling the Windows XP operating system to correct a problem with a newly installed driver, first try using Windows XP Device Driver Rollback (see "Using Windows XP Device Driver Rollback" on page 61). If Device Driver Rollback does not resolve the problem, then use System Restore (see "Using Microsoft® Windows® XP System Restore" on page 62) to return your operating system to the operating state it was in before you installed the new device driver.

-  **NOTICE:** Before performing the installation, back up all data files on your primary hard drive. For conventional hard drive configurations, the primary hard drive is the first drive detected by the computer.

To reinstall Windows XP, you need the following items:



- Dell™ *Operating System* CD
- Dell ResourceCD

-  **NOTE:** The ResourceCD contains drivers that were installed during assembly of the computer. Use the ResourceCD to load any required drivers.

Reinstalling Windows XP

To reinstall Windows XP, perform all the steps in the following sections in the order in which they are listed.

The reinstallation process can take 1 to 2 hours to complete. After you reinstall the operating system, you must also reinstall the device drivers, virus protection program, and other software.

-  **NOTICE:** The *Operating System* CD provides options for reinstalling Windows XP. The options can overwrite files and possibly affect programs installed on your hard drive. Therefore, do not reinstall Windows XP unless a Dell technical support representative instructs you to do so.
-  **NOTICE:** To prevent conflicts with Windows XP, disable any virus protection software installed on your computer before you reinstall Windows XP. See the documentation that came with the software for instructions.

Booting From the Operating System CD

- 1 Save and close any open files and exit any open programs.
- 2 Insert the *Operating System* CD. Click **Exit** if **Install Windows XP** message appears.
- 3 Restart the computer.
- 4 Press <F12> immediately after the DELL™ logo appears.

If the operating system logo appears, wait until you see the Windows desktop, and then shut down the computer and try again.


- 5 Press the arrow keys to select **CD-ROM**, and press <Enter>.
- 6 When the **Press any key to boot from CD** message appears, press any key.


Windows XP Setup

- 1 When the **Windows XP Setup** screen appears, press <Enter> to select **To set up Windows now**.
- 2 Read the information on the **Microsoft Windows Licensing Agreement** screen, and press <F8> to accept the license agreement.
- 3 If your computer already has Windows XP installed and you want to recover your current Windows XP data, type *r* to select the repair option, and remove the CD.

- 4 If you want to install a new copy of Windows XP, press <Esc> to select that option.
- 5 Press <Enter> to select the highlighted partition (recommended), and follow the instructions on the screen.


The **Windows XP Setup** screen appears, and the operating system begins to copy files and install the devices. The computer automatically restarts multiple times.

 **NOTE:** The time required to complete the setup depends on the size of the hard drive and the speed of your computer.


 **NOTICE:** Do not press any key when the following message appears: Press any key to boot from the CD.

- 6 When the **Regional and Language Options** screen appears, select the settings for your location and click **Next**.
- 7 Enter your name and organization (optional) in the **Personalize Your Software** screen, and click **Next**.
- 8 *If you are reinstalling Windows XP Home Edition*, at the **What's your computer's name** window, enter a name for your computer (or accept the name provided) and click **Next**.
If you are reinstalling Windows XP Professional, at the **Computer Name and Administrator Password** window, enter a name for your computer (or accept the one provided) and a password, and click **Next**.
- 9 If the **Modem Dialing Information** screen appears, enter the requested information and click **Next**.
- 10 Enter the date, time, and time zone in the **Date and Time Settings** window, and click **Next**.
- 11 If the **Networking Settings** screen appears, click **Typical** and click **Next**.
- 12 If you are reinstalling Windows XP Professional and you are prompted to provide further information regarding your network configuration, enter your selections. If you are unsure of your settings, accept the default selections.

Windows XP installs the operating system components and configures the computer. The computer automatically restarts.

 **NOTICE:** Do not press any key when the following message appears: Press any key to boot from the CD.

- 13 When the **Welcome to Microsoft** screen appears, click **Next**.
- 14 When the **How will this computer connect to the Internet?** message appears, click **Skip**.
- 15 When the **Ready to register with Microsoft?** screen appears, select **No, not at this time** and click **Next**.
- 16 When the **Who will use this computer?** screen appears, you can enter up to five users.
- 17 Click **Next**.

- 18** Click **Finish** to complete the setup, and remove the CD.
 - 19** Reinstall the appropriate drivers with the ResourceCD (see "Reinstalling Drivers" on page 61).
 - 20** Reinstall your virus protection software.
 - 21** Reinstall your programs.
-  **NOTE:** To reinstall and activate your Microsoft Office or Microsoft Works Suite programs, you need the Product Key number located on the back of the Microsoft Office or Microsoft Works Suite CD sleeve.

Removing and Installing Parts

Before You Begin

This chapter provides procedures for removing and installing the components in your computer. Unless otherwise noted, each procedure assumes that the following conditions exist:


- You have performed the steps in "Turning Off Your Computer" on page 69 and "Before Working Inside Your Computer" on page 70.
- You have read the safety information in your Dell™ *Product Information Guide*.
- A component can be replaced by performing the removal procedure in reverse order.

Recommended Tools

The procedures in this document may require the following tools:

- Small flat-blade screwdriver
- Phillips screwdriver
- BIOS updates available on support.dell.com

Turning Off Your Computer


 **NOTICE:** To avoid losing data, save and close any open files and exit any open programs before you turn off your computer.


- 1 Shut down the operating system:
 - a Save and close any open files, exit any open programs, click the **Start** button, and then click **Turn Off Computer**.
 - b In the **Turn off computer** window, click **Turn off**.
The computer turns off after the operating system shutdown process finishes.
- 2 Ensure that the computer and any attached devices are turned off. If your computer and attached devices did not automatically turn off when you shut down your operating system, press and hold the power button for 4 seconds.


Before Working Inside Your Computer


Use the following safety guidelines to help protect your computer from potential damage and to help ensure your own personal safety.

 **CAUTION:** Before you begin any of the procedures in this section, follow the safety instructions located in the *Product Information Guide*.


 **CAUTION:** Handle components and cards with care. Do not touch the components or contacts on a card. Hold a card by its edges or by its metal mounting bracket. Hold a component such as a processor by its edges, not by its pins.

 **NOTICE:** Only a certified service technician should perform repairs on your computer. Damage due to servicing that is not authorized by Dell is not covered by your warranty.

 **NOTICE:** When you disconnect a cable, pull on its connector or on its strain-relief loop, not on the cable itself. Some cables have a connector with locking tabs; if you are disconnecting this type of cable, press in on the locking tabs before you disconnect the cable. As you pull connectors apart, keep them evenly aligned to avoid bending any connector pins. Also, before you connect a cable, ensure that both connectors are correctly oriented and aligned.


 **NOTICE:** To avoid damaging the computer, perform the following steps before you begin working inside the computer.

1 Turn off your computer (see "Turning Off Your Computer" on page 69).


 **NOTICE:** To disconnect a network cable, first unplug the cable from your computer and then unplug it from the network port or device.

2 Disconnect any telephone or telecommunication lines from the computer.

3 Disconnect your computer and all attached devices from their electrical outlets, and then press the power button to ground the system board.

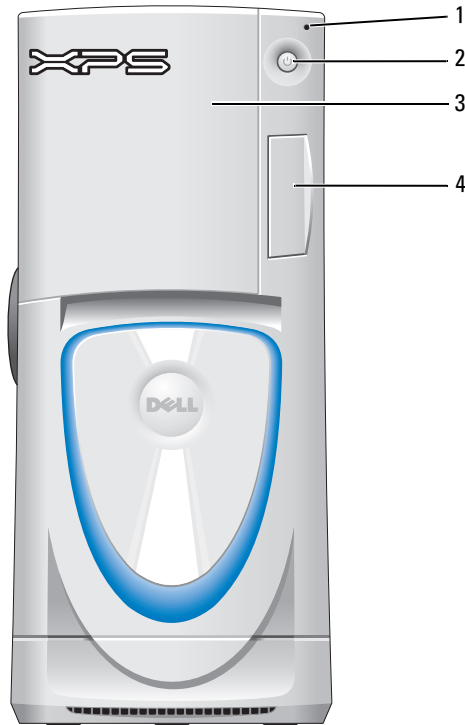
 **CAUTION:** To guard against electrical shock, always unplug your computer from the electrical outlet before opening the cover.

4 Open the computer cover (see "Opening the Computer Cover" on page 76).

 **NOTICE:** Before touching anything inside your computer, ground yourself by touching an unpainted metal surface, such as the metal at the back of the computer. While you work, periodically touch an unpainted metal surface to dissipate any static electricity that could harm internal components.

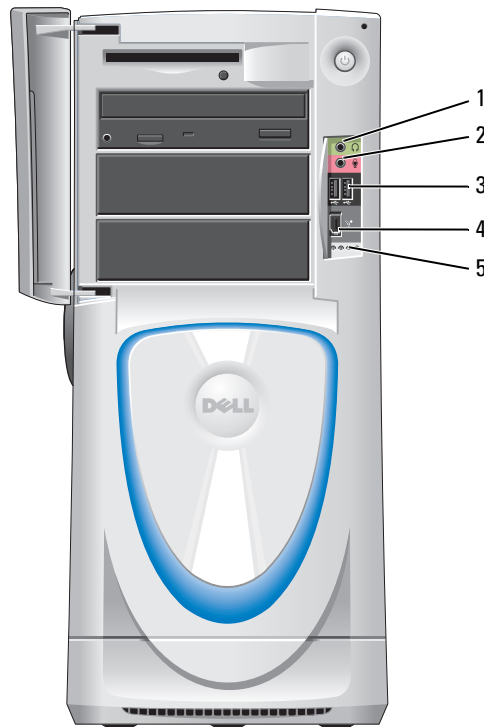
Front and Back View of the Computer

Front View



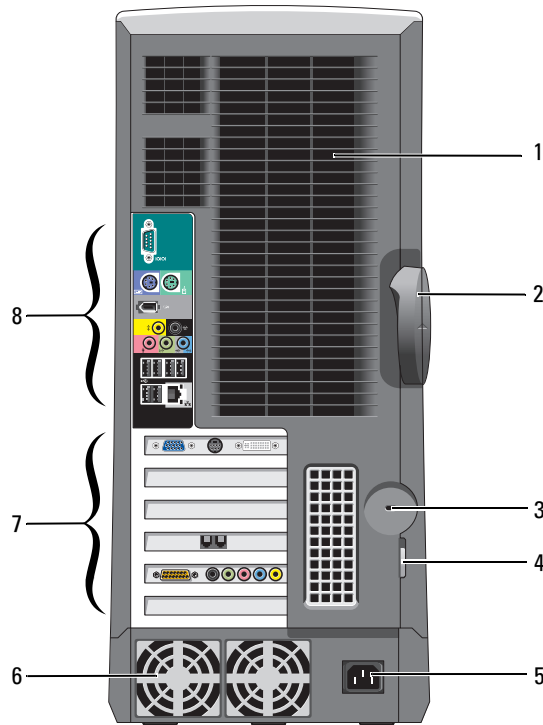
1	hard-drive activity light	The hard-drive light is on when the computer reads data from or writes data to the hard drive. The light might also be on when a device such as your CD player is operating.
2	power button	Press to turn on the computer. ➡ NOTICE: To avoid losing data, do not use the power button to turn off the computer. Instead, perform an operating system shutdown.
3	drive door	Open the drive door to access the floppy and CD/DVD drives. NOTE: The drive door is removable; if you remove it or accidentally knock it off its hinges, it snaps back in place. For instructions on how to reattach the door, see "Replacing the Drive Door" on page 122.
4	front-panel door	Open the front-panel door to use the front-panel connectors.

Front View (Doors Open)

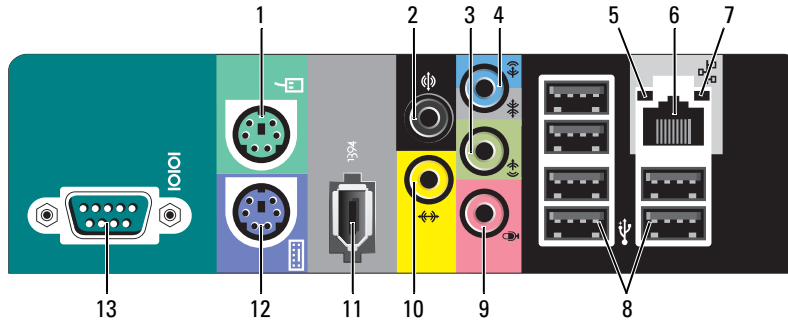


1	headphone connector	Use the headphone connector to attach headphones and most kinds of speakers.
2	microphone connector	Use the microphone connector to attach a personal computer microphone for voice or musical input into a sound or telephony program.
3	USB 2.0 connectors (2)	Use the front USB connectors for devices that you connect occasionally, such as joysticks or cameras. It is recommended that you use the back USB connectors for devices that typically remain connected, such as printers and keyboards, or for bootable USB devices, which may not function properly if attached to the front connectors.
4	IEEE 1394 connector	Attach high-speed serial multimedia devices, such as digital video cameras.
5	diagnostic lights (4)	Use the lights to help you troubleshoot a computer problem based on the diagnostic code. For more information, see "Diagnostic Lights" on page 55.

Back View



1	processor fans (2)	For optimal cooling, two processor fans are provided. Do not block the vents.
2	cover latch release	To open the computer, lay the computer on its side with the cover latch release at the top and then push the latch to the left. See "Opening the Computer Cover" on page 76.
3	security cable slot	Use a security cable with the slot to help secure your computer.
4	padlock ring	Insert a padlock to lock the computer cover.
5	power connector	Insert the power cable.
6	power supply fans	For optimal cooling, two power supply fans are provided. Do not block the vents.
7	card slots (6)	Access connectors for optional video, audio, modem, or other PCI cards (three slots) and PCI Express cards (two x16 slots and one x1 slot). NOTE: If a graphics card is installed in each of the PCI Express x16 card slots in the dual-graphics configuration, the PCI Express x1 card slot is not available for use.
8	back panel connectors	Plug USB, audio, and other devices into the appropriate connector.



1	mouse connector	Plug a standard mouse into the green mouse connector. Turn off the computer and any attached devices before you connect a mouse to the computer. If you have a USB mouse, plug it into a USB connector.
2	surround connector	Use the black surround connector to attach multichannel-capable speakers.
3	line-out connector	Use the green line-out connector (available on computers with integrated sound) to attach headphones and most speakers with integrated amplifiers. On computers with a sound card, use the connector on the card.
4	line-in connector / side-surround	Use the blue and silver connector to attach a record/playback device such as a cassette player, CD player, or VCR, or to provide enhanced surround audio for computers with 7.1 speakers. On computers with a sound card, use the connector on the card.
5	link integrity light	<ul style="list-style-type: none"> • Green — A good connection exists between a 10-Mbps network and the computer. • Orange — A good connection exists between a 100-Mbps network and the computer. • Yellow — A good network connection exists between a 1000-Mbps network and the computer. • Off — The computer is not detecting a physical connection to the network.
6	network adapter connector	To attach your computer to a network or broadband device, connect one end of a network cable to either a network jack or your network or broadband device. Connect the other end of the network cable to the network adapter connector on the back panel of your computer. A click indicates that the network cable has been securely attached. NOTE: Do not plug a telephone cable into the network connector. On computers with a network connector card, use the connector on the card.

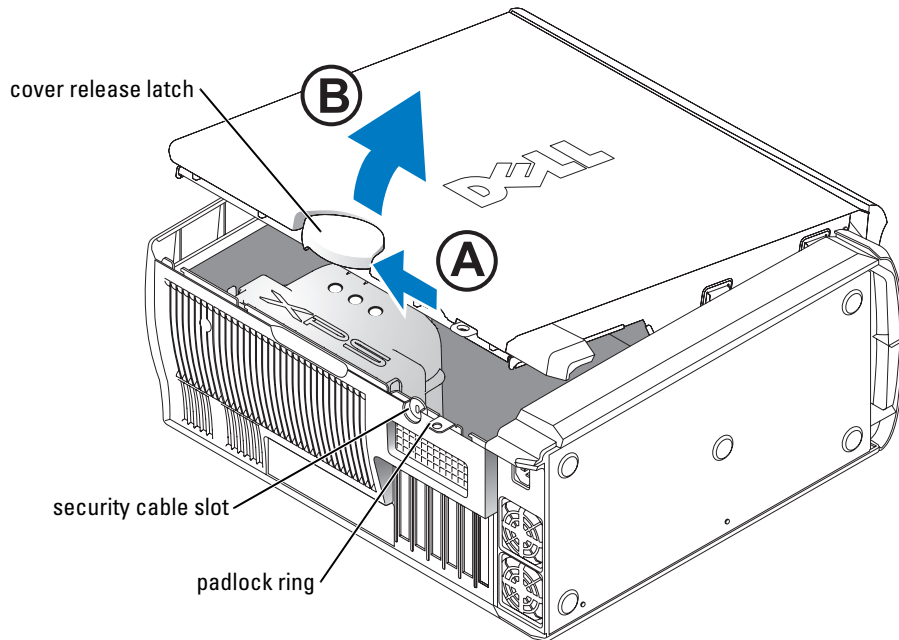
7	network activity light	Flashes a yellow light when the computer is transmitting or receiving network data. A high volume of network traffic may make this light appear to be in a steady "on" state.
8	USB 2.0 connectors (6)	Use the back USB connectors for devices that typically remain connected, such as printers and keyboards. It is recommended that you use the front USB connectors for devices that you connect occasionally, such as joysticks or cameras.
9	microphone connector	Use the pink connector to attach a personal computer microphone for voice or musical input into a sound or telephony program. On computers with a sound card, the microphone connector is on the card.
10	center/subwoofer connector	Use the yellow connector to attach a speaker to a Low Frequency Effects (LFE) audio channel.
11	IEEE 1394 connector	Attach high-speed serial multimedia devices, such as digital video cameras.
12	keyboard connector	If you have a standard keyboard, plug it into the purple keyboard connector. If you have a USB keyboard, plug it into a USB connector.
13	serial connector	Connect a serial device, such as a handheld device, to the serial port.

Opening the Computer Cover

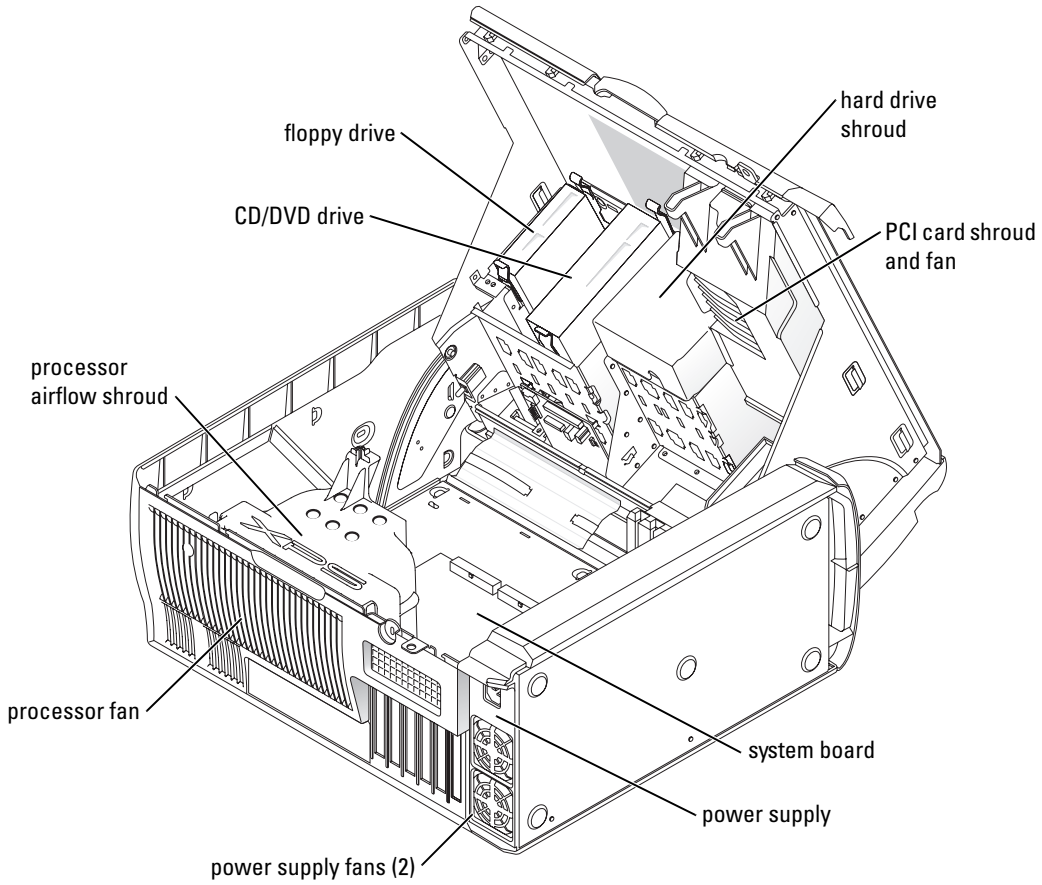
⚠ CAUTION: Before you begin any of the procedures in this section, follow the safety instructions located in the *Product Information Guide*.

⚠ CAUTION: To prevent static damage to components inside your computer, discharge static electricity from your body before you touch any of your computer's electronic components. You can do so by touching an unpainted metal surface on the computer chassis.

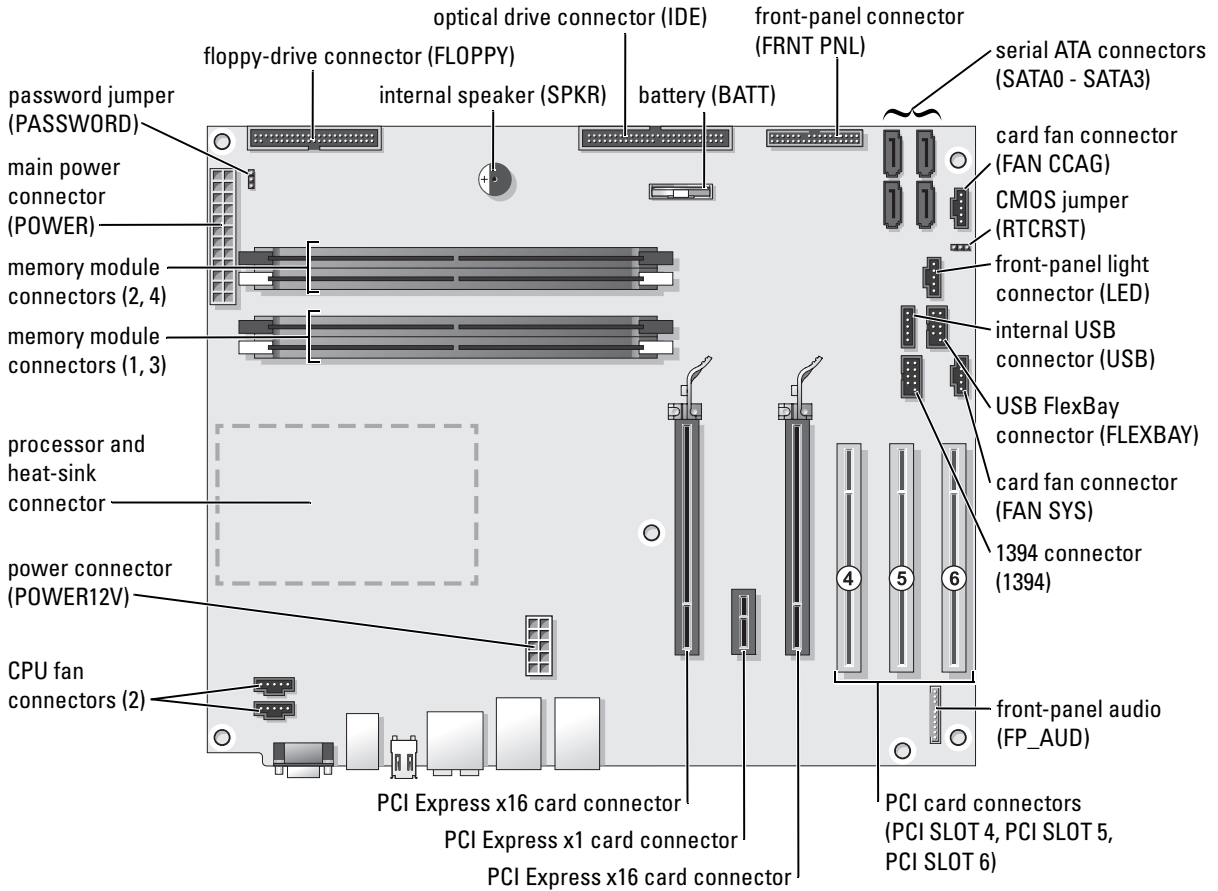
- 1 Follow the procedures in "Before You Begin" on page 69.
- 2 Lay the computer on its side so that the arrow on the bottom of the computer points up.
- ➡ NOTICE:** Ensure that sufficient space exists to accommodate the open cover—at least 30 cm (1 ft) of desk top space.
- 3 Slide the cover release latch toward the top of the computer.
- 4 Raise the cover, and pivot it toward the front of the computer.



Inside View of Your Computer



System Board Components



Memory


You can increase your computer memory by installing memory modules on the system board.

Your computer supports DDR2 memory. For additional information on the type of memory supported by your computer, see "Memory" on page 127.

DDR2 Memory Overview


- DDR2 memory modules should be installed in *pairs of matched memory size and speed*. If the DDR2 memory modules are not installed in matched pairs, the computer will continue to operate, but with a slight reduction in performance. See the label on the upper-right or upper-left corner of the module to determine the module's capacity.



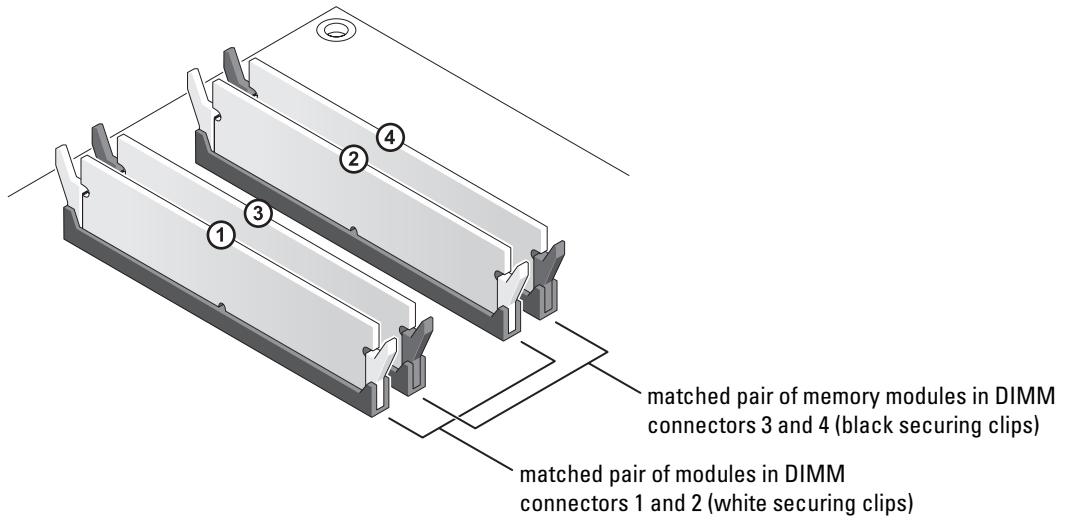
 **NOTE:** Always install DDR2 memory modules in the order indicated on the system board.

The recommended memory configurations are:

- A pair of matched memory modules installed in DIMM connectors 1 and 2
- or
- A pair of matched memory modules installed in DIMM connectors 1 and 2 and another matched pair installed in DIMM connectors 3 and 4

 **NOTICE:** Do not install ECC memory modules.

- If you install mixed pairs of PC2-4300 (DDR2 533-MHz) and PC2-5300 (DDR2 667-MHz) memory, the modules function at the speed of the slowest module installed.
- Be sure to install a single memory module in DIMM connector 1, the connector closest to the processor, before you install modules in the other connectors.



- ➔ **NOTICE:** If you remove your original memory modules from the computer during a memory upgrade, keep them separate from any new modules that you may have, even if you purchased the new modules from Dell. If possible, *do not* pair an original memory module with a new memory module. Otherwise, your computer may not start properly. You should install your original memory modules in pairs either in DIMM connectors 1 and 2 or DIMM connectors 3 and 4.

🔧 **NOTE:** Memory purchased from Dell is covered under your computer warranty.

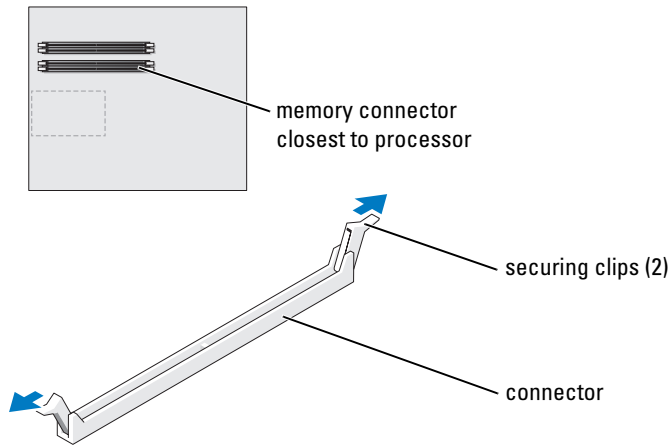
Addressing Memory Configurations

If you are using a 32-bit operating system such as Microsoft® Windows® XP, your computer will support a maximum of 2 GB of memory. If you are using a 64-bit operating system, your computer will support a maximum of 8 GB (2-GB DIMMs in each of the four slots) of memory.

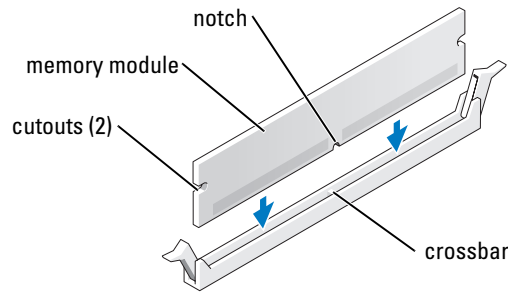
Installing Memory

⚠️ **CAUTION:** Before you begin any of the procedures in this section, follow the safety instructions located in the *Product Information Guide*.

- ➔ **NOTICE:** To prevent static damage to components inside your computer, discharge static electricity from your body before you touch any of your computer's electronic components. You can do so by touching an unpainted metal surface on the computer chassis.
- 1 Follow the procedures in "Before You Begin" on page 69.
 - 2 Lay the computer on its side so that the system board is on the bottom of the inside of the computer.
 - 3 Press out the securing clip at each end of the memory module connector.

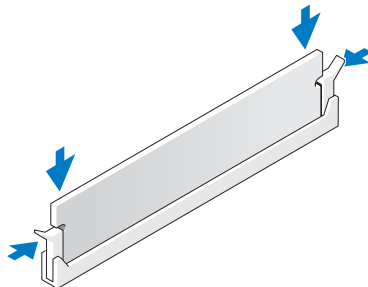



- 4 Align the notch on the bottom of the module with the crossbar in the connector.



➔ **NOTICE:** To avoid damage to the memory module, press the module straight down into the connector while you apply equal force to each end of the module.

- 5 Insert the module into the connector until the module snaps into position.
If you insert the module correctly, the securing clips snap into the cutouts at each end of the module.



- 6 Close the computer cover.
-  **NOTICE:** To connect a network cable, first plug the cable into the network port or device and then plug it into the computer.
- 7 Connect your computer and devices to electrical outlets, and turn them on.
- 8 When the message appears stating that memory size has changed, press <F1> to continue.
- 9 Log on to your computer.
- 10 Right-click the **My Computer** icon on your Windows desktop and click **Properties**.
- 11 Click the **General** tab.
- 12 To verify that the memory is installed correctly, check the amount of memory (RAM) listed.

Removing Memory



CAUTION: Before you begin any of the procedures in this section, follow the safety instructions located in the *Product Information Guide*.



NOTICE: To prevent static damage to components inside your computer, discharge static electricity from your body before you touch any of your computer's electronic components. You can do so by touching an unpainted metal surface on the computer chassis.

- 1 Follow the procedures in "Before You Begin" on page 69.
- 2 Press out the securing clip at each end of the memory module connector.
- 3 Grasp the module and pull up.

If the module is difficult to remove, gently ease the module back and forth to remove it from the connector.

Cards



CAUTION: Before you begin any of the procedures in this section, follow the safety instructions in the *Product Information Guide*.



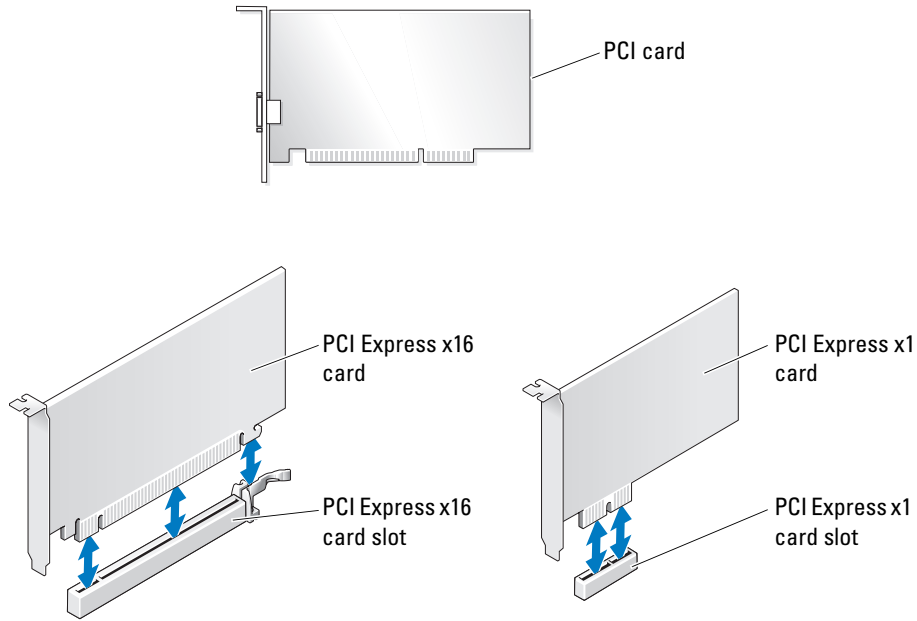
NOTICE: To prevent static damage to components inside your computer, discharge static electricity from your body before you touch any of your computer's electronic components. You can do so by touching an unpainted metal surface on the computer.

Your Dell™ computer provides the following slots for PCI and PCI Express cards:

- Three PCI card slots
- Two PCI Express x16 card slots (can be used in a dual-graphics configuration)

NOTE: If a graphics card is installed in each of the PCI Express x16 card slots in the dual-graphics configuration, the PCI Express x1 card slot is not accessible for use.

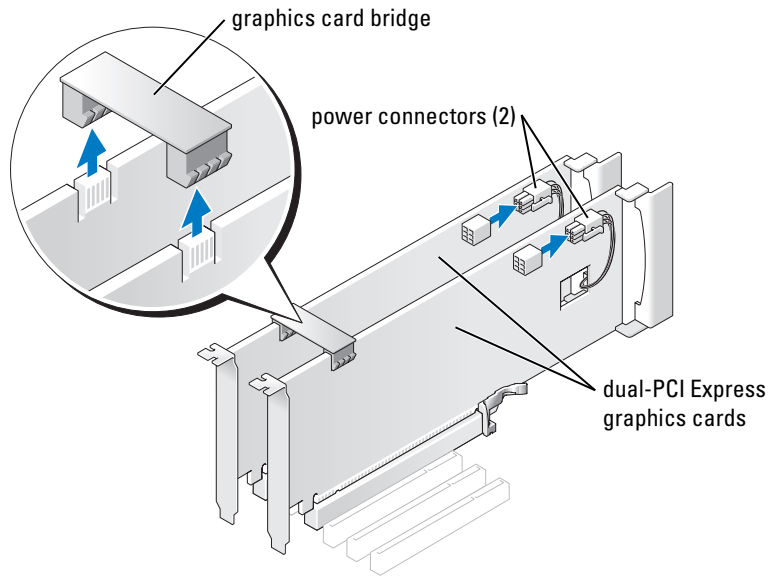
- One PCI Express x1 card slot



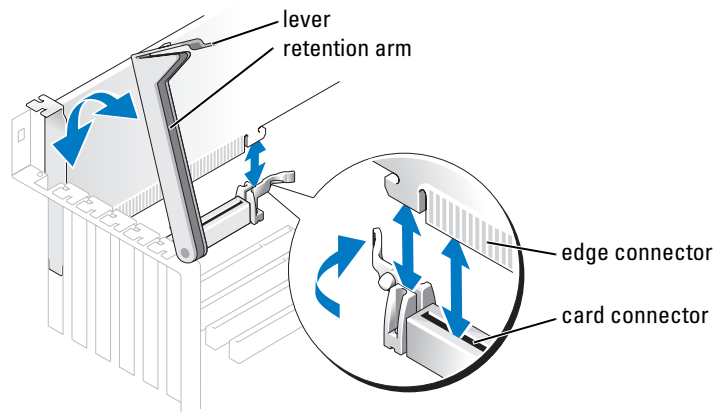
Removing a PCI Express Graphics Card from a Dual Configuration

NOTE: This section regards dual configurations of PCI Express graphics cards only. For removal of any other type of PCI or PCI Express cards, see "Removing PCI and PCI Express Cards" on page 89.

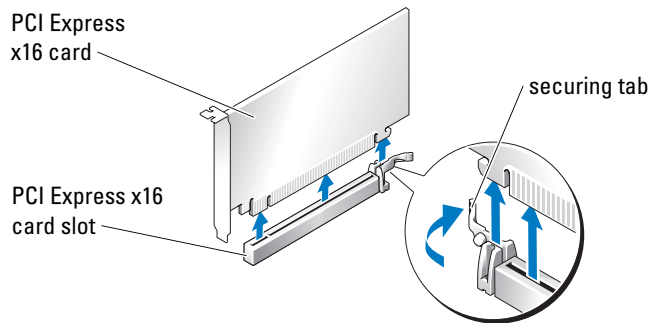
- 1 Follow the procedures in "Before You Begin" on page 69.
- 2 Gently securing both graphics cards with one hand, remove the graphics card bridge with your other hand by pulling it up and away from the computer. Set it aside.



- 3 Disconnect the power cable connected to the card.
- 4 Press the lever on the card retention arm and raise the retention arm.





- 5 Pull the securing tab (if present), grasp the card by its top corners, and ease it out of its connector.



- 6 If you are replacing the card, see "Installing PCI Express Graphics Cards in a Dual Configuration" on page 86.


If you are not replacing the card, install a filler bracket in the empty card-slot opening.

 **NOTE:** Installing filler brackets over empty card-slot openings is necessary to maintain FCC certification of the computer. The brackets also keep dust and dirt out of your computer.

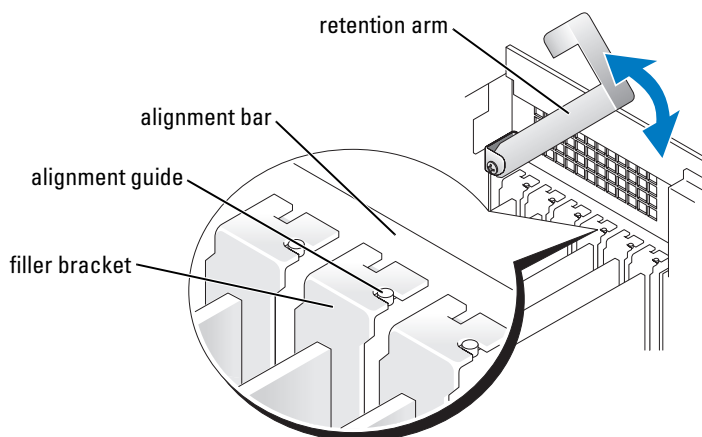
 **NOTE:** The graphics card bridge is unnecessary in a single card configuration.

- 7 Before you lower the retention arm, ensure that:

- The tops of all cards and filler brackets are flush with the alignment bar.
- The notch in the top of the card or filler bracket fits around the alignment guide.

 **NOTICE:** Do not route card cables over or behind the cards. Cables routed over the cards can prevent the computer cover from closing properly or cause damage to the equipment.

- 8 Press the retention arm into place, securing the card(s) in the computer.



- ➔ **NOTICE:** To connect a network cable, first plug the cable into the network port or device and then plug the cable into the computer.
- 9 Replace the computer cover, reconnect the computer and devices to electrical outlets, and then turn them on.

Installing PCI Express Graphics Cards in a Dual Configuration

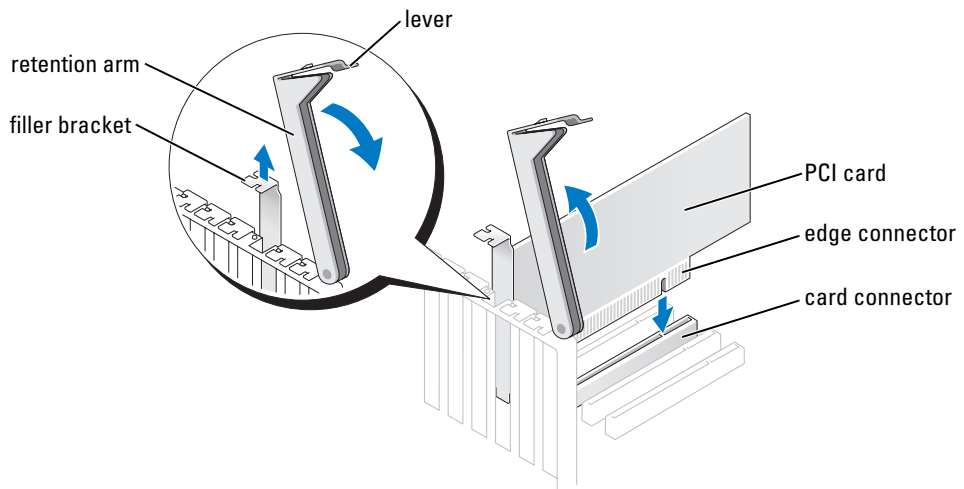
NOTE: This section regards dual configurations of PCI Express graphics cards only. For installation of any other type of PCI or PCI Express cards, see "Installing PCI and PCI Express Cards" on page 91.

The PCI Express x1 card slot is not available for use if a graphics card is installed in each of the PCI Express x16 card slots in the dual-graphics configuration. If you are upgrading from a single graphics to a dual-graphics configuration, you will need to remove any card installed in the PCI Express x1 card slot. See "System Board Components" on page 78 to locate the PCI Express x1 card slot. To remove a PCI Express card, see "Removing PCI and PCI Express Cards" on page 89.

➔ **NOTICE:** For information about upgrading your system to use NVIDIA SLI (Scalable Link Interface) dual-graphics technology, see the Dell website at support.dell.com.

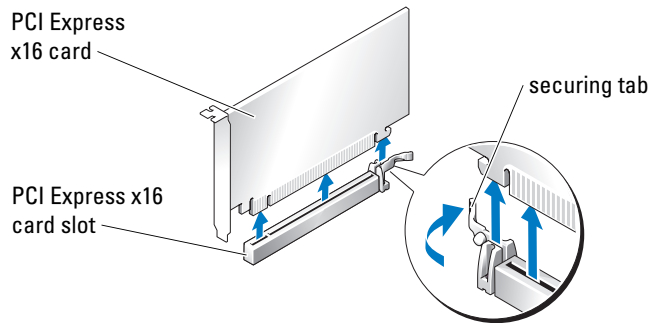
To learn more about NVIDIA SLI (Scalable Link Interface) dual-graphics technology, see "NVIDIA SLI Dual Graphics Technology" on page 38.

- 1 Follow the procedures in "Before You Begin" on page 69.
- 2 Press the lever on the card retention arm and raise the retention arm.

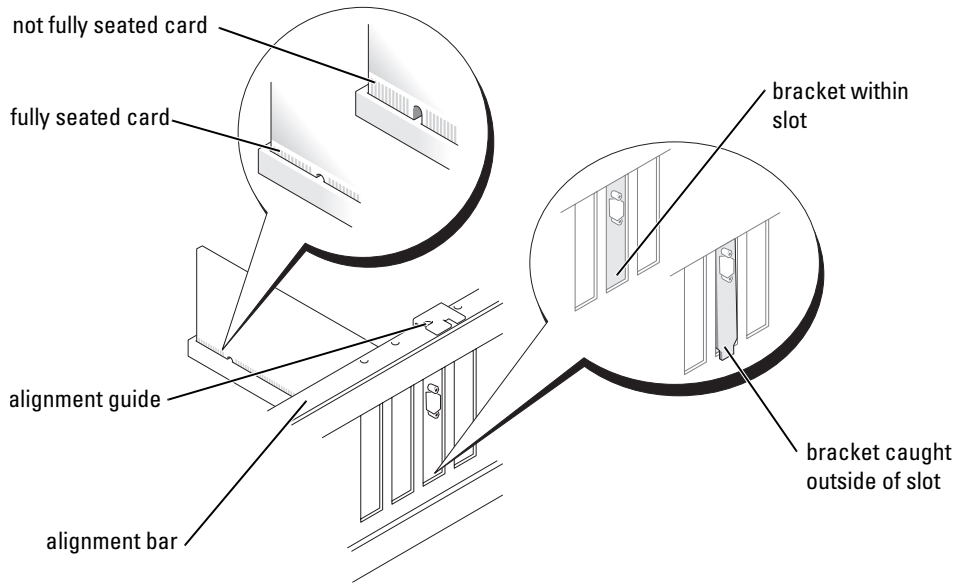


- 3 If you are upgrading to a dual-graphics configuration, remove the filler bracket to create a card-slot opening.

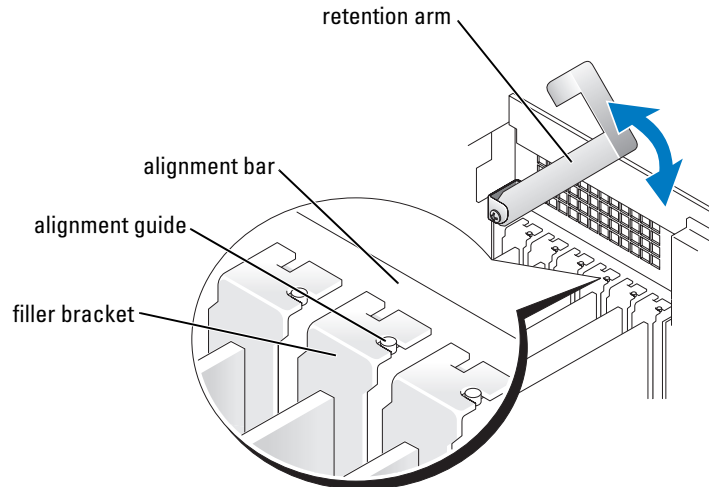
- 4 If you are upgrading to a dual-graphics configuration and have a card installed in the PCI Express x1 card slot, remove the card. See "Removing PCI and PCI Express Cards" on page 89.
- 5 Prepare the card for installation.
See the documentation that came with the card for information on configuring the card, making internal connections, or otherwise customizing it for your computer.
- 6 Position the card so that it is aligned with the slot and the securing tab (if present) is aligned with the securing slot.



- ➔ NOTICE:** Ensure that you release the securing tab to seat the card. If the card is not installed correctly, you may damage the system board.
- 7 Gently pull the securing tab (if present) and place the card in the connector. Press down firmly and ensure that the card is fully seated in the slot.



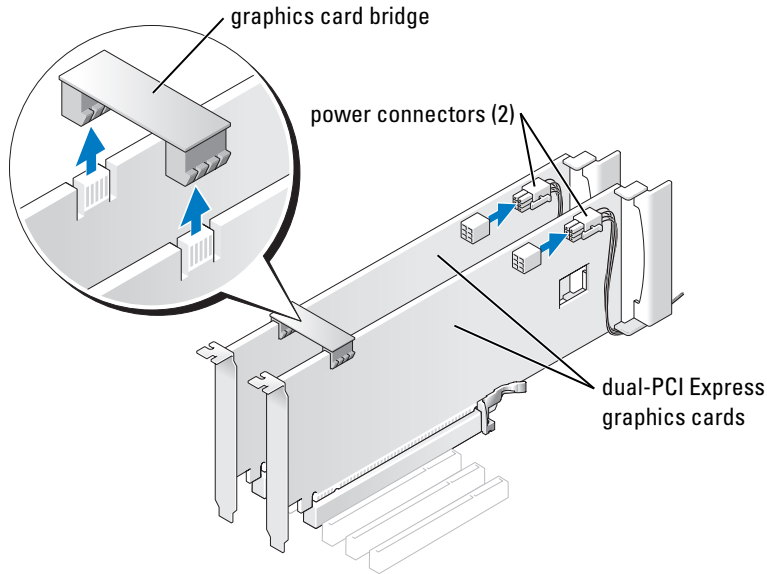
- 8 Before you lower the retention arm, ensure that:
- The tops of all cards and filler brackets are flush with the alignment bar.
 - The notch in the top of the card or filler bracket fits around the alignment guide.
- ➔ **NOTICE:** Do not route card cables over or behind the cards. Cables routed over the cards can prevent the computer cover from closing properly or cause damage to the equipment.
- 9 Press the retention arm into place, securing the card(s) in the computer.



➡ NOTICE: An incorrectly attached graphics power cable may result in degraded graphics performance.

10 Connect the power cable to the power connector on the card.

For information about the card cable connections, see the documentation that came with the card.



11 Replace the graphics card bridge, pressing firmly so that it completely covers the connector tabs.

➡ NOTICE: To connect a network cable, first plug the cable into the network port or device and then plug the cable into the computer.

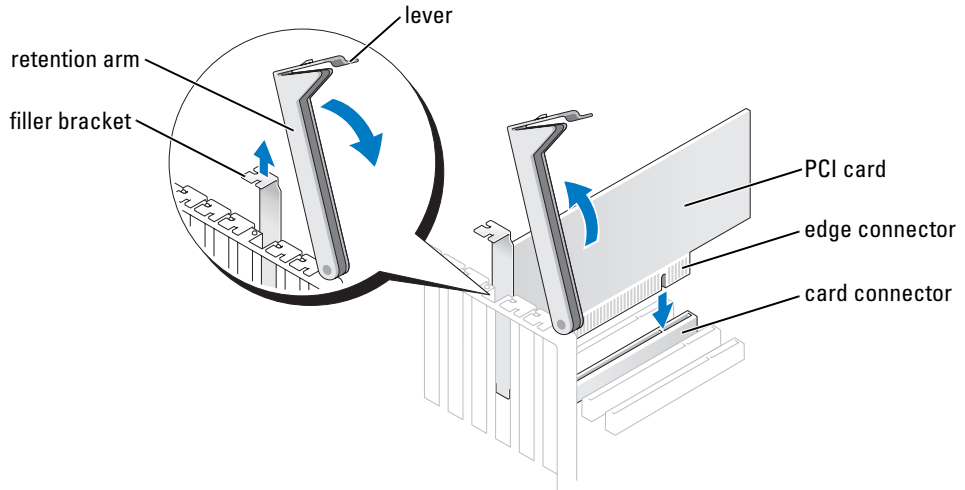
12 Replace the computer cover, reconnect the computer and devices to electrical outlets, and then turn them on.

Removing PCI and PCI Express Cards

➡ NOTICE: If you have the optional dual-graphics configuration, see "Removing a PCI Express Graphics Card from a Dual Configuration" on page 84 to remove or replace a graphics card.

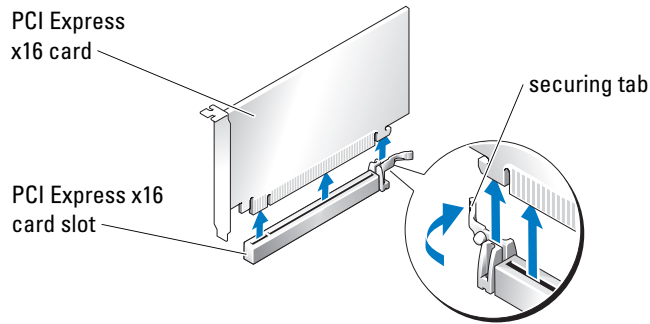
1 Follow the procedures in "Before You Begin" on page 69.

2 Press the lever on the card retention arm and raise the retention arm.



3 Remove the card:

- a** If necessary, disconnect any cables connected to the card.
- b** Pull the securing tab (if present), grasp the card by its top corners, and ease it out of its connector.



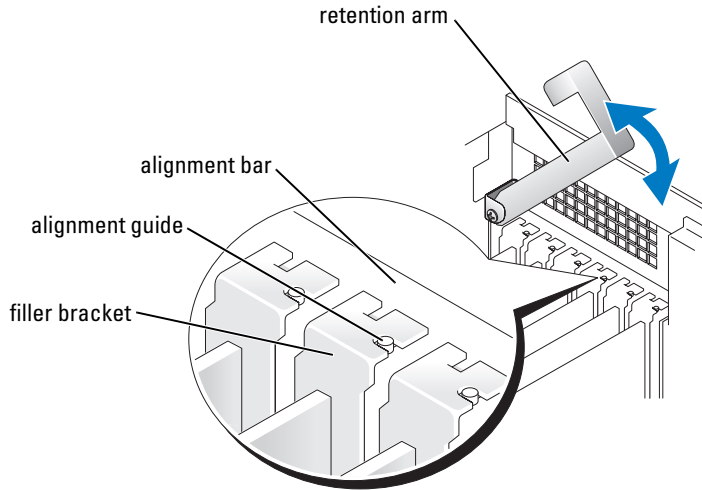
- 4** If you are replacing the card, see "Installing PCI and PCI Express Cards" on page 91. If you are not replacing the card, install a filler bracket in the empty card-slot opening.

NOTE: Installing filler brackets over empty card-slot openings is necessary to maintain FCC certification of the computer. The brackets also keep dust and dirt out of your computer.

5 Before you lower the retention arm, ensure that:

- The tops of all cards and filler brackets are flush with the alignment bar.
- The notch in the top of the card or filler bracket fits around the alignment guide.

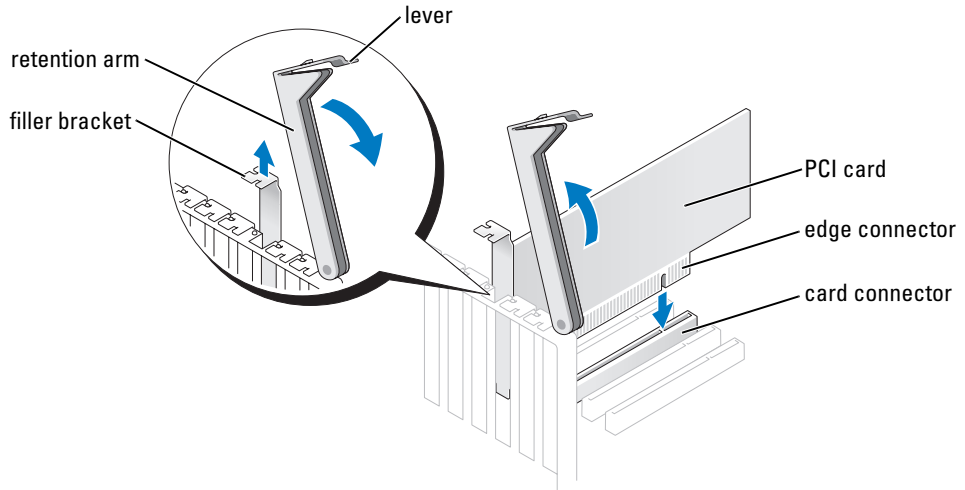
- ➔ **NOTICE:** Do not route card cables over or behind the cards. Cables routed over the cards can prevent the computer cover from closing properly or cause damage to the equipment.
- 6 Press the retention arm into place, securing the card(s) in the computer.



- ➔ **NOTICE:** To connect a network cable, first plug the cable into the network port or device and then plug the cable into the computer.
- 7 Replace the computer cover, reconnect the computer and devices to electrical outlets, and then turn them on.
 - 8 If you removed a sound card or a network adapter, see "Network Adapter and Sound Card Settings" on page 94.
 - 9 Uninstall the driver for the card that you removed.

Installing PCI and PCI Express Cards

- ➔ **NOTICE:** If you have or are upgrading to the optional dual-graphics configuration, see "Installing PCI Express Graphics Cards in a Dual Configuration" on page 86 to install a graphics card.
- 1 Follow the procedures in "Before You Begin" on page 69.
 - 2 Press the lever on the card retention arm and raise the retention arm.



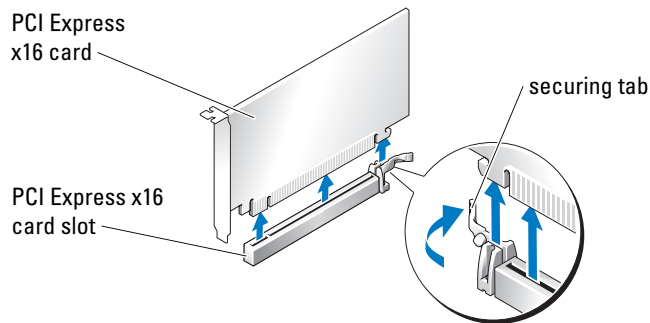
3 If you are installing a new card, remove the filler bracket to create a card-slot opening.

4 Prepare the card for installation.

See the documentation that came with the card for information on configuring the card, making internal connections, or otherwise customizing it for your computer.

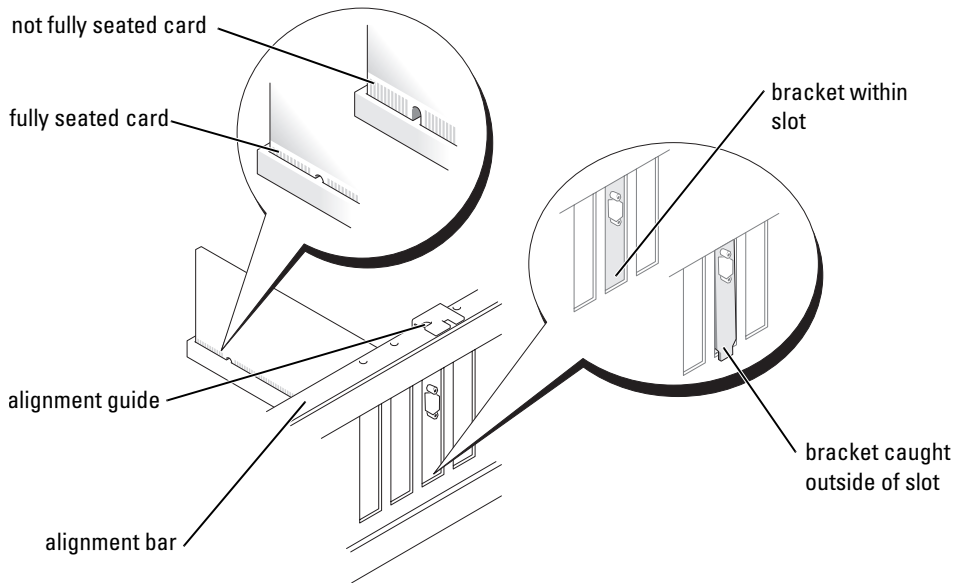
⚠ CAUTION: Some network adapters automatically start the computer when they are connected to a network. To guard against electrical shock, be sure to unplug your computer from its electrical outlet before installing any cards.

5 Position the card so that it is aligned with the slot and (if present) the securing tab is aligned with the securing slot.



➡ NOTICE: Ensure that you release the securing tab to seat the card. If the card is not installed correctly, you may damage the system board.

- 6** Gently pull the securing tab (if present) and place the card in the connector. Press down firmly and ensure that the card is fully seated in the slot.
- If the card is full-length, insert the end of the card into the card guide bracket as you lower the card toward its connector on the system board. Insert the card firmly into the card connector on the system board.

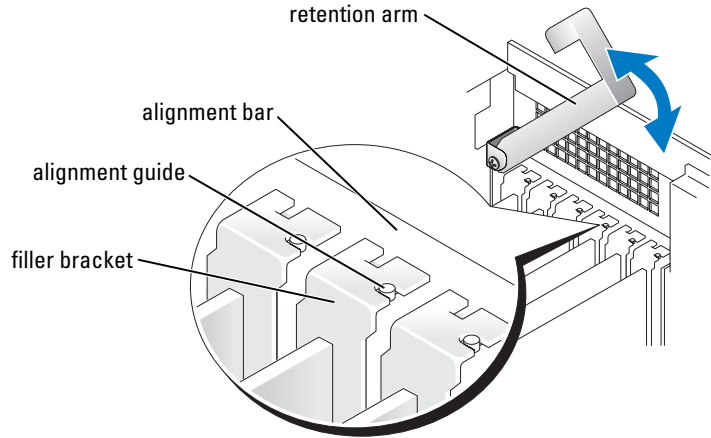


- 7** Before you lower the retention arm, ensure that:
- The tops of all cards and filler brackets are flush with the alignment bar.
 - The notch in the top of the card or filler bracket fits around the alignment guide.
- ➔ NOTICE:** Do not route card cables over or behind the cards. Cables routed over the cards can prevent the computer cover from closing properly or cause damage to the equipment.
- 8** Press the retention arm into place, securing the card(s) in the computer.

- 9 Connect any cables that should be attached to the card.

See the documentation for the card for information about the card cable connections.

- NOTICE:** To connect a network cable, first plug the cable into the network port or device and then plug the cable into the computer.



- 10 Replace the computer cover, reconnect the computer and devices to electrical outlets, and then turn them on.
- 11 If you installed a sound card or a network adapter, see "Network Adapter and Sound Card Settings" on page 94.
- 12 Install any drivers required for the card as described in the card documentation.

Network Adapter and Sound Card Settings

If you installed a sound card:

- 1 Enter system setup, select **Integrated Audio Controller**, and then change the setting to **Off**.
- 2 Connect external audio devices to the sound card connectors. Do not connect external audio devices to the microphone, speaker/headphone, or line-in connectors on the back panel.

If you removed a sound card:

- 1 Enter system setup, select **Integrated Audio Controller**, and then change the setting to **On**.
- 2 Connect external audio devices to the audio connectors on the back panel of the computer.

If you installed an add-in network adapter and want to disable the integrated network adapter:

- 1 Enter system setup, select **Integrated NIC Controller**, and then change the setting to **Off**.
- 2 Connect the network cable to the add-in network adapter connectors. Do not connect the network cable to the integrated connector on the back panel.

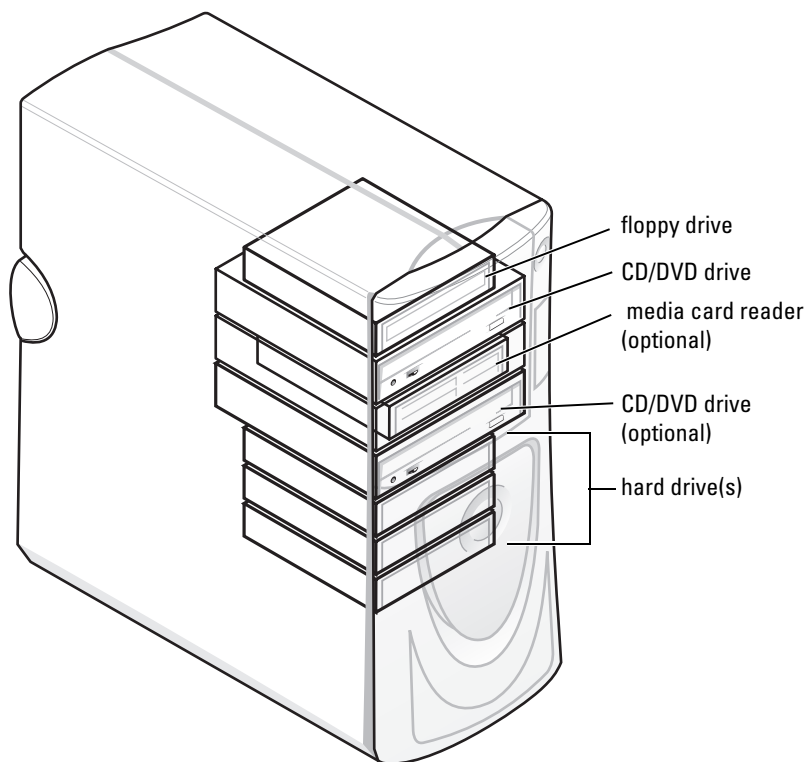
If you removed an add-in network connector:

- 1 Enter system setup, select **Integrated NIC Controller**, and then change the setting to **On**.
- 2 Connect the network cable to the integrated connector on the back panel of the computer.

Drives

Your computer supports a combination of these devices:

- Up to three hard drives
- Optional floppy drive
- Up to two CD or DVD drives
- Optional media card reader



General Installation Guidelines

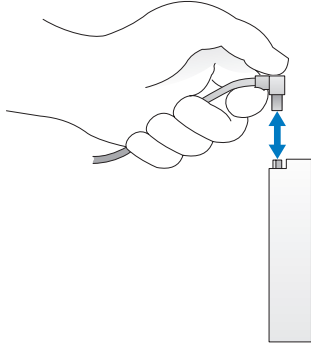
Connect serial ATA hard drives to the SATA0 - SATA3 connectors on the system board. Connect CD/DVD drives to the IDE connector.

When you connect two IDE devices to a single IDE interface cable and configure them for the cable select setting, the device attached to the last connector on the interface cable is the primary or the boot device (drive 0), and the device attached to the middle connector on the interface cable is the secondary device (drive 1). See the drive documentation in your upgrade kit for information on configuring devices for the cable select setting.

Connecting Drive Cables

When you install a drive, you connect two cables—a DC power cable and a data cable—to the back of the drive and to the system board. Some drives may also have an audio connector; one end of the audio cable attaches to the drive connector and the other end attaches to the system board.


Drive Interface Connectors



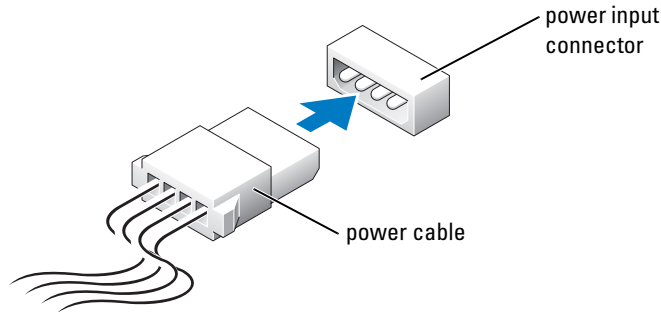
Most interface connectors are keyed for correct insertion; that is, a notch or a missing pin on one connector matches a tab or a filled-in hole on the other connector.

When you connect an IDE cable, ensure that you align the colored stripe with the pin 1 connector. When you disconnect an IDE cable, grasp the colored pull tab and pull until the connector detaches.

When connecting and disconnecting a serial ATA cable, hold the cable by the connector at each end.

 **NOTE:** The system board serial ATA connector may have an attached cover or shroud.

Power Cable Connector



Hard Drive



CAUTION: Before you begin any of the procedures in this section, follow the safety instructions located in the *Product Information Guide*.

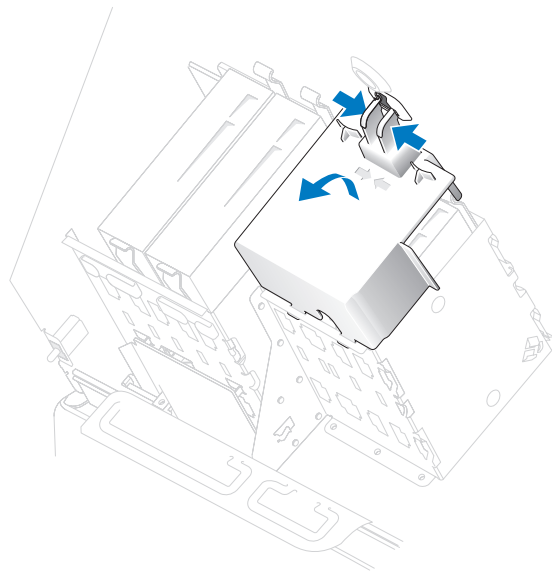


NOTICE: To avoid damage to the drive, do not set it on a hard surface. Instead, set the drive on a surface, such as a foam pad, that will sufficiently cushion it.

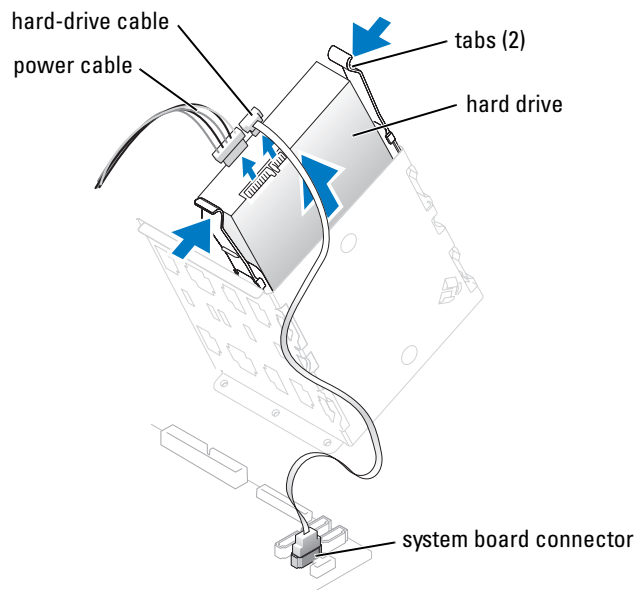
- 1 If you are replacing a hard drive that contains data you want to keep, back up your files before you remove the hard drive.
- 2 Follow the procedures in "Before You Begin" on page 69.

Removing a Hard Drive

- 1 Press the top shroud tabs towards each other and tilt the shroud back.
- 2 Lift the shroud away from the hard drive.



- 3 Disconnect the power and hard-drive cables from the drive and from the system board.

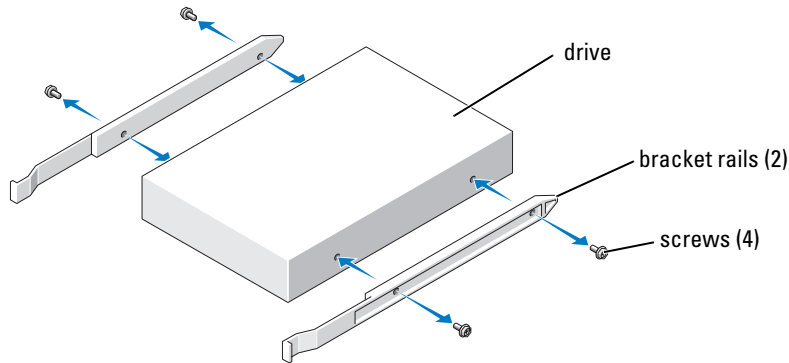


- 4 Press the tabs on each side of the drive towards each other and slide the drive up and out.

Installing a Hard Drive

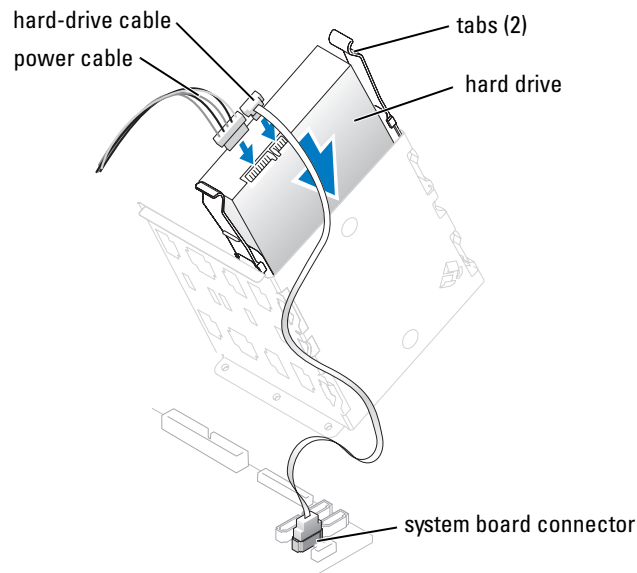
- 1 Unpack the new hard drive, and prepare it for installation.
- 2 Check the documentation for the drive to verify that it is configured for your computer.
- 3 If you are adding a second hard drive, remove the bracket rails from the inside of the hard-drive bay by gently pulling the rails up and out of the bay.
- 4 If you are replacing a hard drive and the new drive does not have the bracket rails attached, remove the rails from the old drive by removing the two screws that secure each rail to the drive.
- 5 Attach the bracket rails to the new drive by aligning the screw holes on the drive with the screw holes on the bracket rails and then inserting and tightening all four screws (two screws on each rail).
- 6 Ensure that the rail tabs are positioned at the back of the hard drive.

NOTICE: Do not install any drive into the lower hard-drive bay until you have removed the green drive rails from the inside of the hard-drive bay.

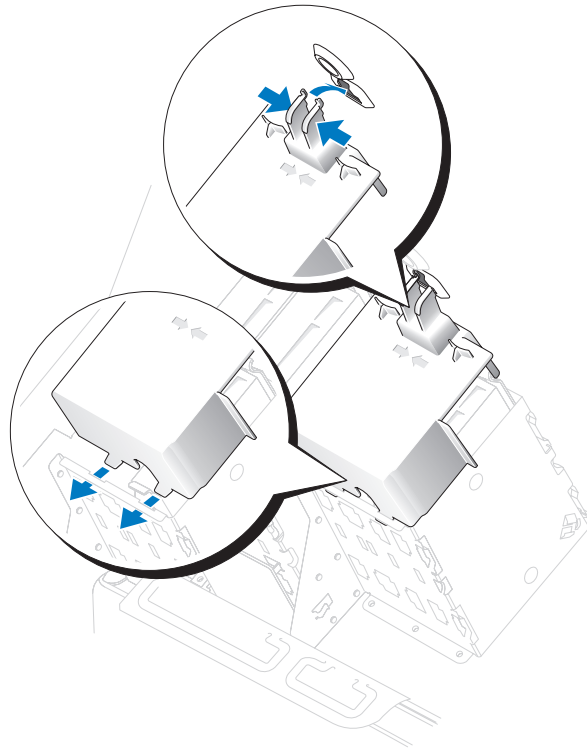


- 7 If you are adding a second hard drive, remove the first hard drive from the upper bay and install it in the lower bay:
 - a Disconnect the power and the hard-drive cables from the back of the first hard drive.
 - b Press in the two rail tabs and pull the first hard drive out of the upper bay.
 - c Gently slide the first hard drive into the lower bay until it clicks into place.
 - d Reconnect the power and hard-drive cables to the back of the first hard drive.
- 8 Install the hard drive into the computer by gently sliding the drive into place until the tabs securely click into position.

NOTE: If you are installing a hard drive in the lower bay, place the drive in the bay so that the power connector is on the left-hand side (opposite of the top hard drive)



- 9 Connect a power cable to the drive.
- 10 Connect the hard-drive cable to the drive and to the system board (see "System Board Components" on page 78).
- 11 Check all connectors to be certain that they are properly cabled and firmly seated.
- ➔ **NOTICE:** When replacing the hard-drive shroud, ensure that all the cables are properly routed.
- 12 Insert the bottom tabs of the shroud into the slot on the drive cage and rotate the shroud up.
- 13 Press the top shroud tabs towards each other and insert them into the corresponding slot on the chassis.
- 14 Gently press on the shroud to ensure that it is secure.



- 15 Close the computer cover (see "Closing the Computer Cover" on page 125).
- ➔ **NOTICE:** To connect a network cable, first plug the cable into the network port or device and then plug it into the computer.
- 16 Connect your computer and devices to electrical outlets, and turn them on.
See the documentation that came with the drive for instructions on installing any software required for drive operation.

- 17 If the drive that you installed is the primary drive, insert a bootable floppy disk into drive A.
- 18 Turn on the computer.
- 19 Enter system setup (see "Entering System Setup" on page 131), and update the appropriate **Drive** option.
- 20 Exit system setup, and restart the computer.
- 21 Partition and logically format your drive before you proceed to the next step.
See the documentation for your operating system for instructions.
- 22 Test the hard drive by running the Dell Diagnostics (see "Dell Diagnostics" on page 58).
- 23 If the drive you just installed is the primary drive, install your operating system on the hard drive.

Floppy Drive



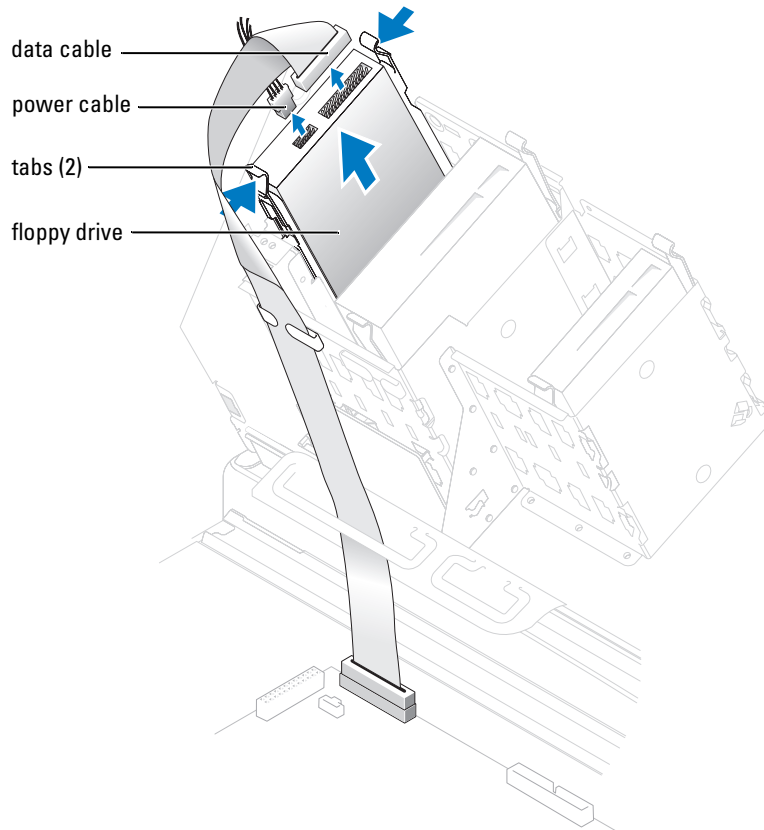
CAUTION: Before you begin any of the procedures in this section, follow the safety instructions located in the *Product Information Guide*.



CAUTION: To guard against electrical shock, always unplug your computer from the electrical outlet before opening the cover.

Removing a Floppy Drive

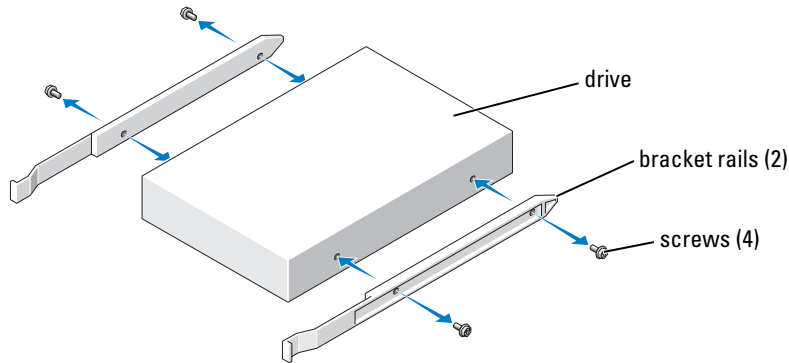
- 1 Follow the procedures in "Before You Begin" on page 69.
- 2 Disconnect the power and data cables from the back of the floppy drive.
- 3 Disconnect the other end of the data cable from the system board.



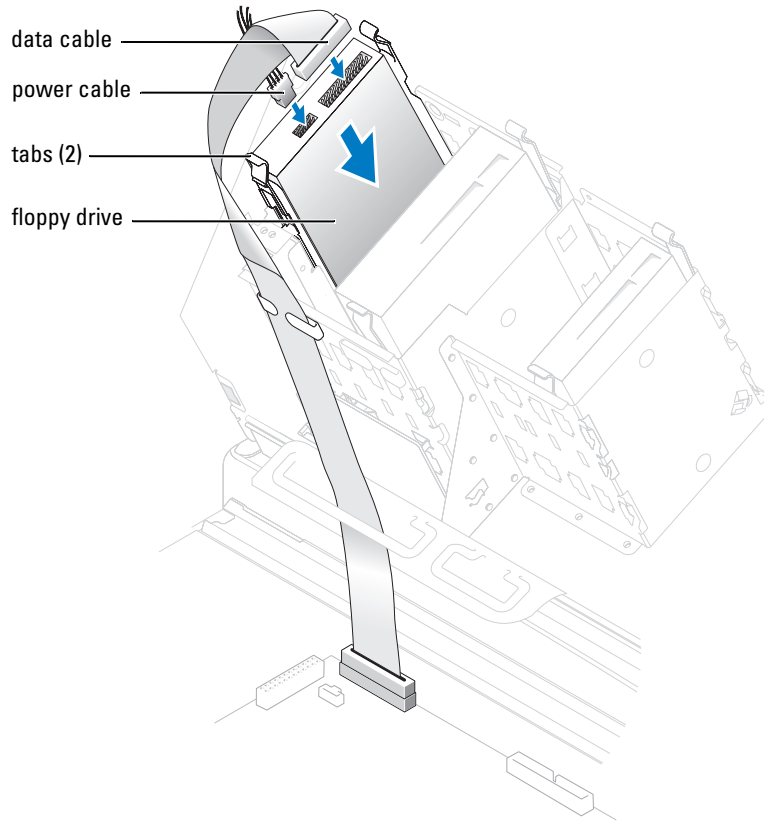
- 4 Press inward on the two tabs on the sides of the drive, slide the drive upward, and remove it from the floppy-drive bay.

Installing a Floppy Drive

- 1 Follow the procedures in "Before You Begin" on page 69.
- 2 If you are replacing a drive and the new drive does not have the bracket rails attached, remove the rails from the old drive by removing the two screws that secure each rail to the drive. Attach the bracket to the new drive by aligning the screw holes on the drive with the screw holes on the bracket rails and then inserting and tightening all four screws (two screws on each rail).



- 3 Gently slide the drive into place until the tabs securely click into position.



- 4 Attach the power and data cables to the floppy drive.
- 5 Connect the other end of the data cable to the DSKT connector on the system board (see "System Board Components" on page 78).
- 6 Check all cable connections, and fold cables out of the way to provide airflow for the fan and cooling vents.
- 7 Close the computer cover (see "Closing the Computer Cover" on page 125).
- ➔ **NOTICE:** To connect a network cable, first plug the cable into the network port or device and then plug it into the computer.
- 8 Connect your computer and devices to electrical outlets, and turn them on.
See the documentation that came with the drive for instructions on installing any software required for drive operation.
- 9 Enter system setup (see "System Setup" on page 131) and update the appropriate **Diskette Drive** option.

- 10 Verify that your computer works correctly by running the Dell Diagnostics (see "Dell Diagnostics" on page 58).

Media Card Reader

For information on using the media card reader, see "Using a Media Card Reader (Optional)" on page 17.

Removing a Media Card Reader

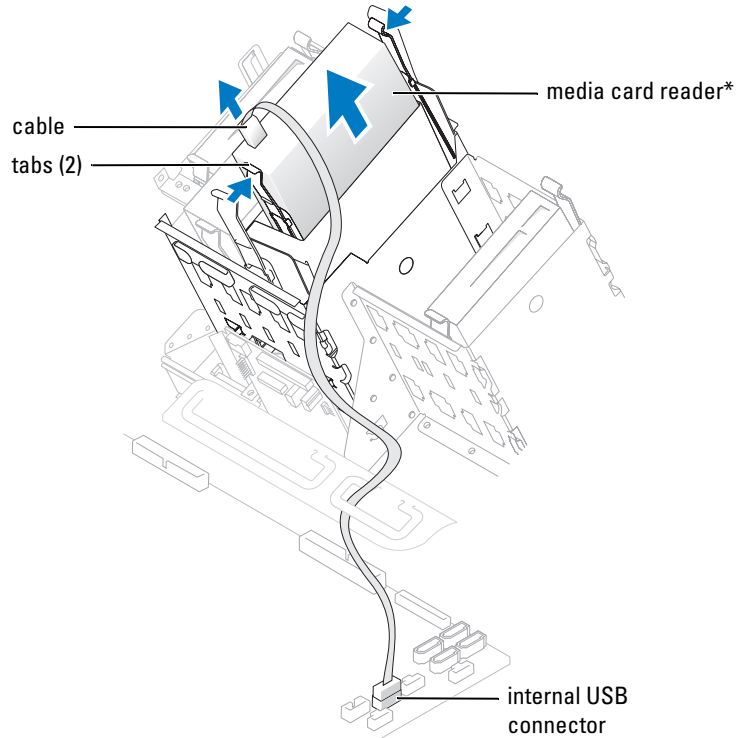


CAUTION: Before you begin any of the procedures in this section, follow the safety instructions located in the *Product Information Guide*.



NOTICE: To prevent static damage to components inside your computer, discharge static electricity from your body before you touch any of your computer's electronic components. You can do so by touching an unpainted metal surface on the computer chassis.

- 1 Follow the procedures in "Before You Begin" on page 69.
- 2 Lay the computer on its side so that the system board is on the bottom of the inside of the computer.
- 3 Open the computer cover ("Opening the Computer Cover" on page 76).



* Not present on all computers.

- 4 Disconnect the USB cable on the back of the media card reader to the internal USB connector on the system board.
- 5 Press in on the tabs on each side of the media card reader and slide the card reader out of the adapter.
- 6 Close the computer (see "Closing the Computer Cover" on page 125).

Installing a Media Card Reader



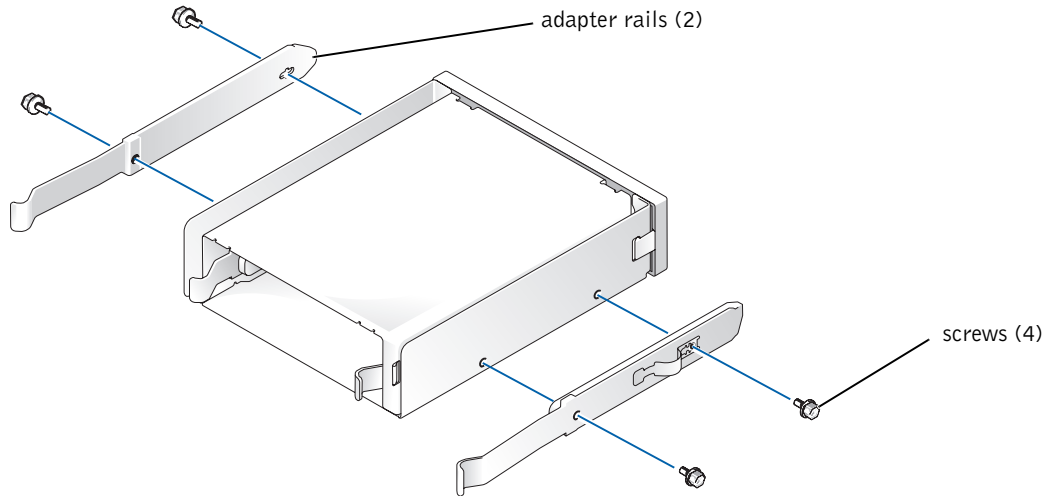
CAUTION: Before you begin any of the procedures in this section, follow the safety instructions located in the *Product Information Guide*.



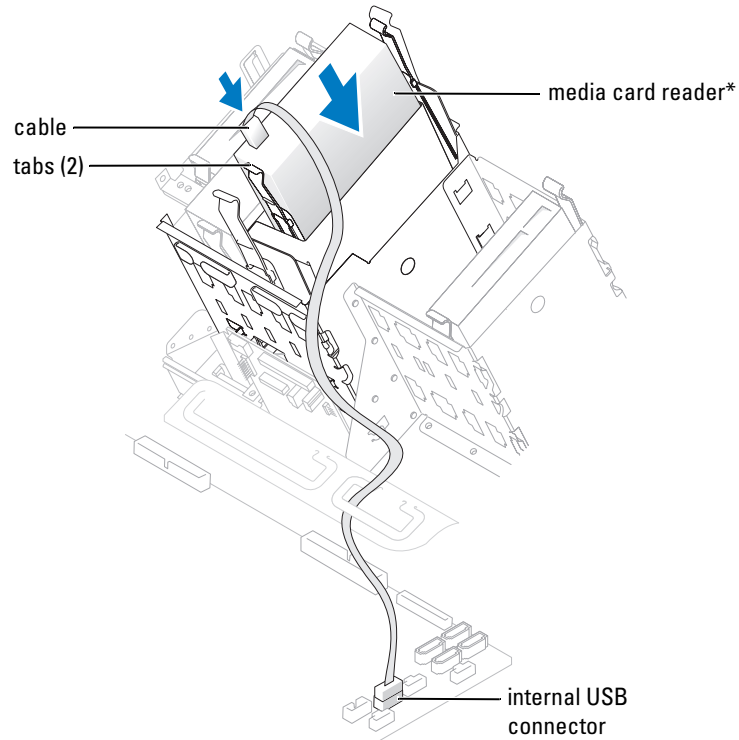
NOTICE: To prevent static damage to components inside your computer, discharge static electricity from your body before you touch any of your computer's electronic components. You can do so by touching an unpainted metal surface on the computer chassis.

- 1 Follow the procedures in "Before You Begin" on page 69.
- 2 Lay the computer on its side so that the system board is on the bottom of the inside of the computer.

- 3** Open the computer cover (see "Opening the Computer Cover" on page 76).
- 4** Remove the media card reader and bracket from its packaging.
- 5** Attach the adapter rails to the adapter by aligning the screw holes on the adapter with the screw holes on the rails and then inserting and tightening all four screws (two on each rail).



- 6** Slide the adapter into the 5.25-inch drive bay until the tabs on the rails securely click into position.



*Not present on all computers.

- 7 Slide the media card reader into the adapter until the tabs on the rails securely click into position.
- 8 Connect the internal USB cable to the media card reader
- 9 Route the USB cable through the cable routing clip.
- 10 Connect the internal USB cable to the internal USB connector on the system board.
- 11 Close the computer cover (see "Closing the Computer Cover" on page 125).

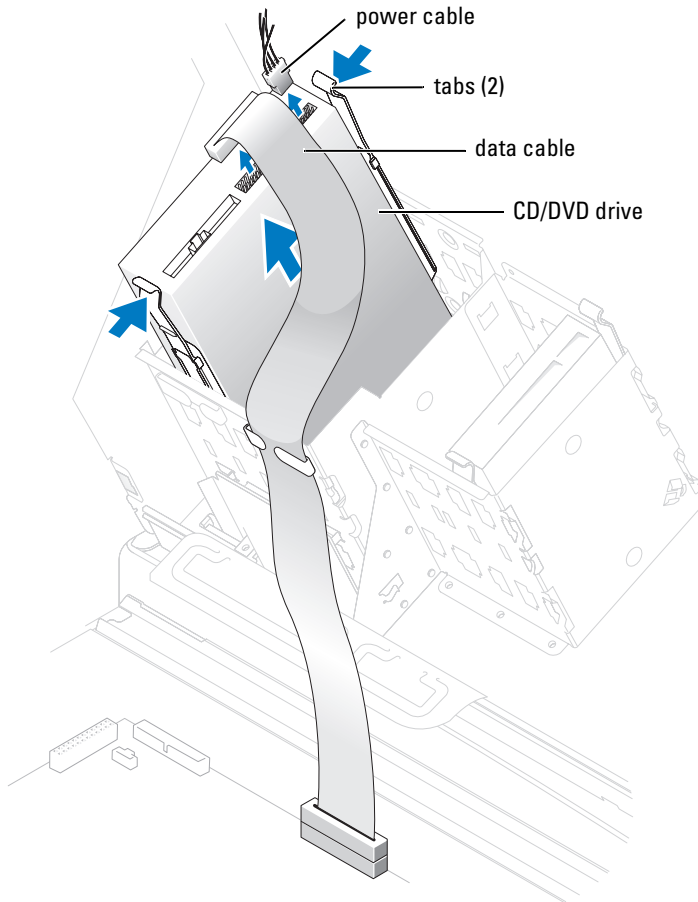
CD/DVD Drive

⚠ CAUTION: Before you begin any of the procedures in this section, follow the safety instructions located in the *Product Information Guide*.

⚠ CAUTION: To guard against electrical shock, always unplug your computer from the electrical outlet before opening the cover.

Removing a CD/DVD Drive

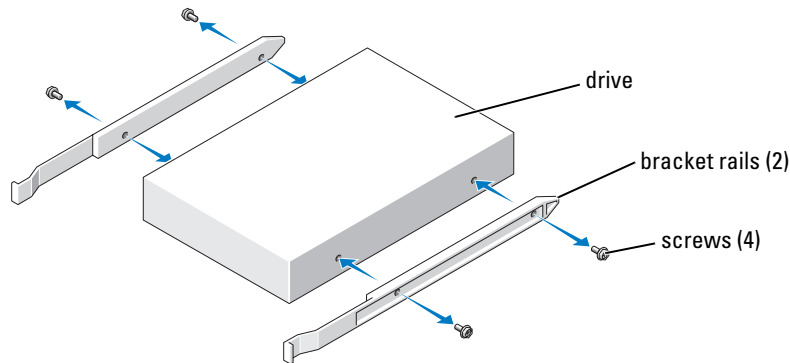
- 1 Follow the procedures in "Before You Begin" on page 69.
- 2 Disconnect the power and data cables from the back of the drive.



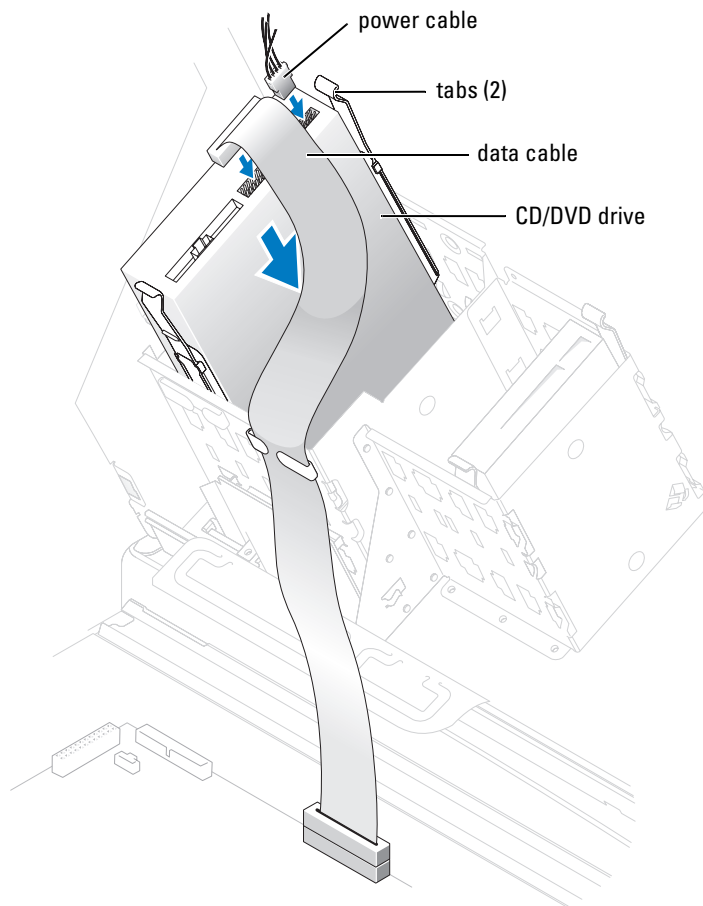
- 3 Press inward on the two tabs on the sides of the drive, and then slide the drive upward and remove it from the drive bay.

Installing a CD/DVD Drive

- 1 Follow the procedures in "Before You Begin" on page 69.
- 2 If you are installing a new drive, unpack the drive and prepare it for installation.
Check the documentation that accompanied the drive to verify that the drive is configured for your computer. If you are installing an IDE drive, configure the drive for the cable select setting.
- 3 Connect the new drive to the set of rails that are attached to the inside of the cover. If a set of rails is not attached inside the computer cover, contact Dell (see "Contacting Dell" on page 142).
- 4 If you are installing a replacement drive and the new drive does not have the bracket rails attached, remove the rails from the old drive by removing the two screws that secure each rail to the drive. Attach the bracket to the new drive by aligning the screw holes on the drive with the screw holes on the bracket rails and then inserting and tightening all four screws (two screws on each rail).



- 5 Gently slide the drive into place until the tabs securely click into position.
- 6 Connect the power and data cables to the drive.
If you are adding a drive that has an audio cable, connect the audio cable to the audio connector on the system board.



- 7 Check all cable connections, and fold cables out of the way to provide airflow for the fan and cooling vents.
- 8 Close the computer cover (see "Closing the Computer Cover" on page 125).
- ➔ **NOTICE:** To connect a network cable, first plug the cable into the network port or device and then plug it into the computer.
- 9 Connect your computer and devices to electrical outlets, and turn them on.
See the documentation that came with the drive for instructions on installing any software required for drive operation.
- 10 Enter system setup (see "Entering System Setup" on page 131) and select the appropriate Drive option.

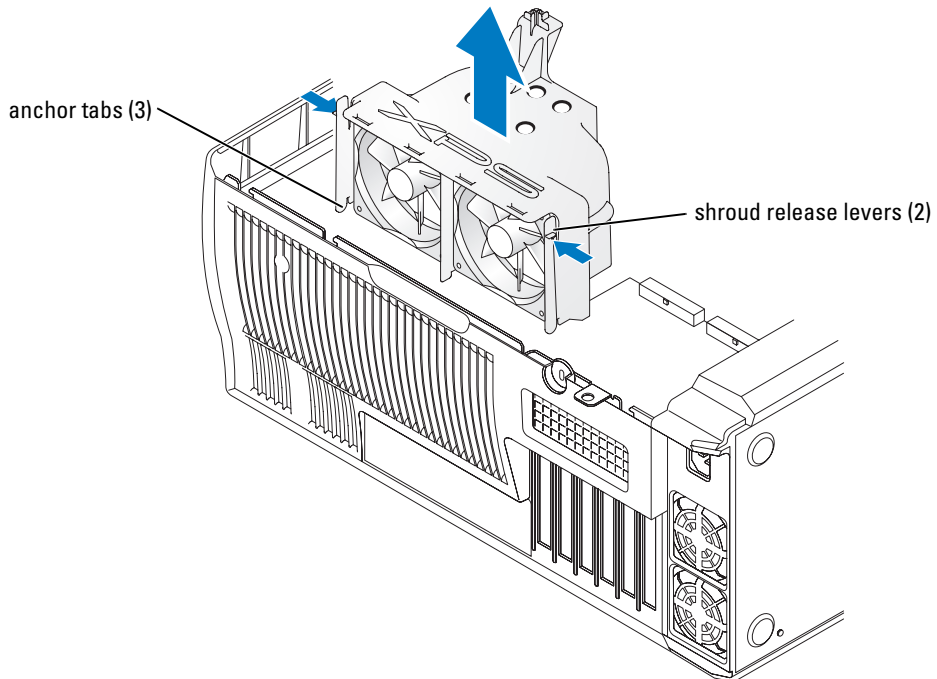
- 11 Verify that your computer works correctly by running the Dell Diagnostics (see "Dell Diagnostics" on page 58).

Processor Airflow Shroud

- CAUTION:** Before you perform this procedure, follow the safety instructions located in the *Product Information Guide*.
- CAUTION:** To prevent static damage to components inside your computer, discharge static electricity from your body before you touch any of your computer's electronic components. You can do so by touching an unpainted metal surface on the computer chassis.
- NOTICE:** To avoid damaging the fan power cables, do not slide the shroud too quickly.


Removing the Processor Airflow Shroud

- 1 Follow the procedures in "Before You Begin" on page 69.
- 2 Press the two shroud release levers and lift the shroud up to disengage the anchors.
- 3 Once the shroud has been disengaged from the anchors, unplug the fan cables from their connectors on the system board by pressing the release tabs on the fan cable connectors while pulling up.




Installing the Processor Airflow Shroud


- 1 Attach both fan power cables to the connectors on the system board.
- 2 Align the anchor tabs with the securing slots.
- 3 Gently press the shroud until the anchor tabs snap securely into place.
- 4 Close the computer cover.

 **NOTICE:** To connect a network cable, first plug the cable into the network port or device and then plug it into the computer.

- 5 Connect your computer and devices to electrical outlets, and turn them on.

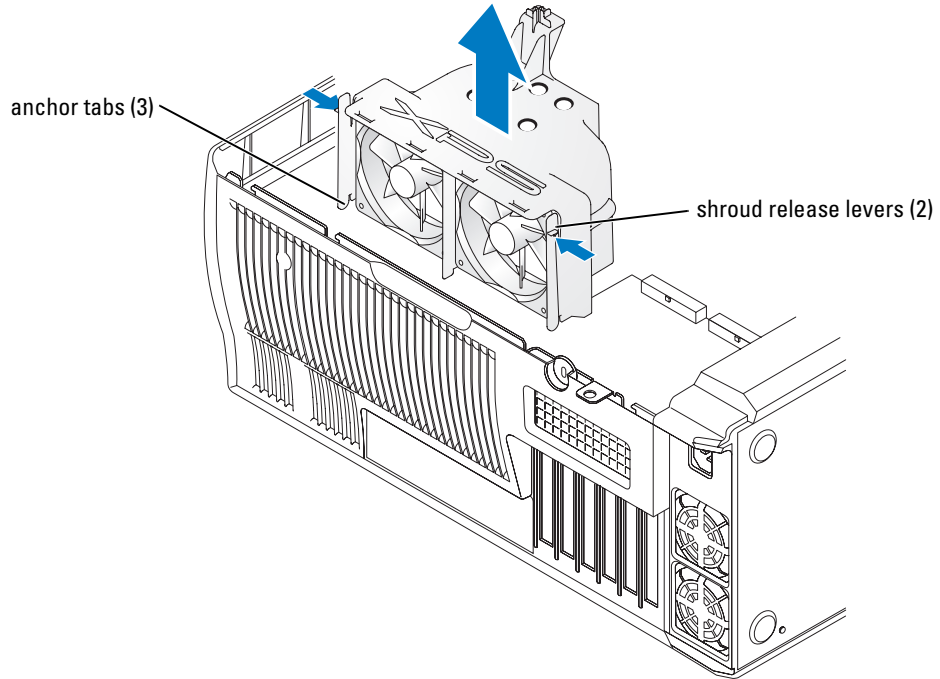
Processor

 **NOTICE:** Do not perform the following steps unless you are familiar with hardware removal and replacement. Performing these steps incorrectly could damage your system board. For technical service, see "Dell Technical Support Policy (U.S. Only)" on page 140.

 **CAUTION:** Before you begin any of the procedures in this section, follow the safety instructions located in the *Product Information Guide*.

Removing the Processor

- 1 Follow the procedures in "Before You Begin" on page 69.
- 2 Disconnect the two cooling fan power cables from the FANREAR and FANCPU connectors (see "System Board Components" on page 78) on the system board.
- 3 Disconnect the power cable from the POWER12V connector (see "System Board Components" on page 78) on the system board.
- 4 Remove the airflow shroud.



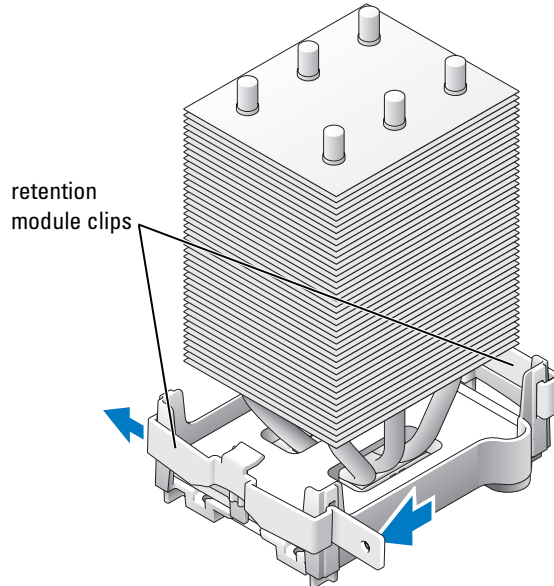
⚠ CAUTION: The heat sink can get very hot during normal operation. Be sure that the heat sink has had sufficient time to cool before you touch it.

5 Remove the heat sink:

NOTICE: After the heat sink has been removed, lay the heat sink down on its side to avoid damaging the thermal interface on the bottom.

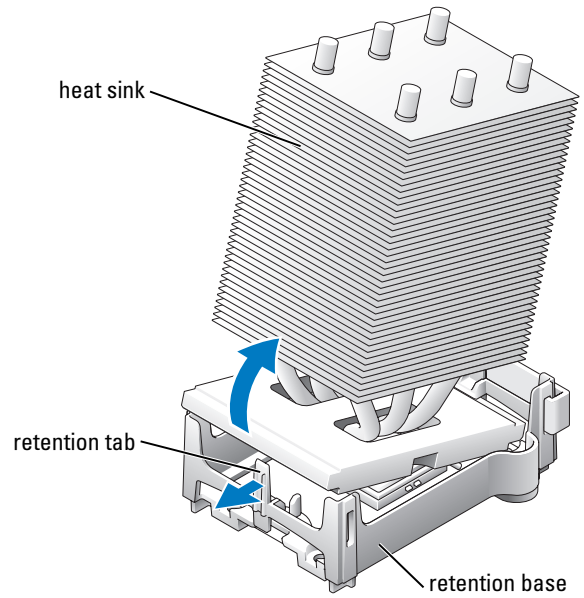
- a Remove the retention module clip from the side of the retention base opposite the power supply. Pull the tab on the clip straight out and away from the retention base to remove it.
- b On the retention base locate the retention tab on the side opposite the power supply, then press on the tab, away from the heat sink until the heat sink pops up slightly.
- c Rotate the heat sink back, then slide it forward from beneath the second retention tab and lift it out of the retention base.
- d Remove the remaining retention module clip, as needed.

NOTE: Removal of the remaining retention module clip is not necessary for removal of the processor.

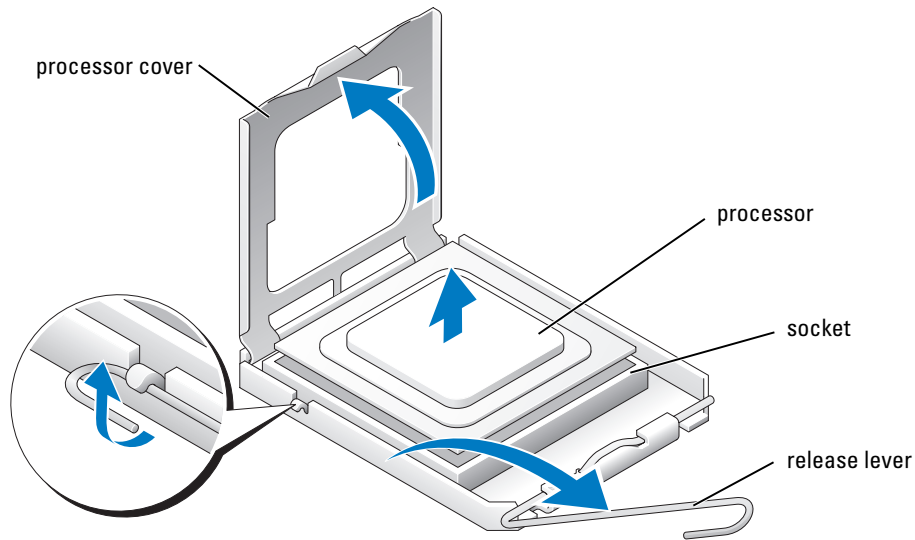


➔ **NOTICE:** If you are installing a processor upgrade kit from Dell, discard the original heat sink. If you are *not* installing a processor upgrade kit from Dell, reuse the original heat sink and blower when you install your new processor.

- 6 Push down and out on the socket release lever.



- 7 Open the processor cover.



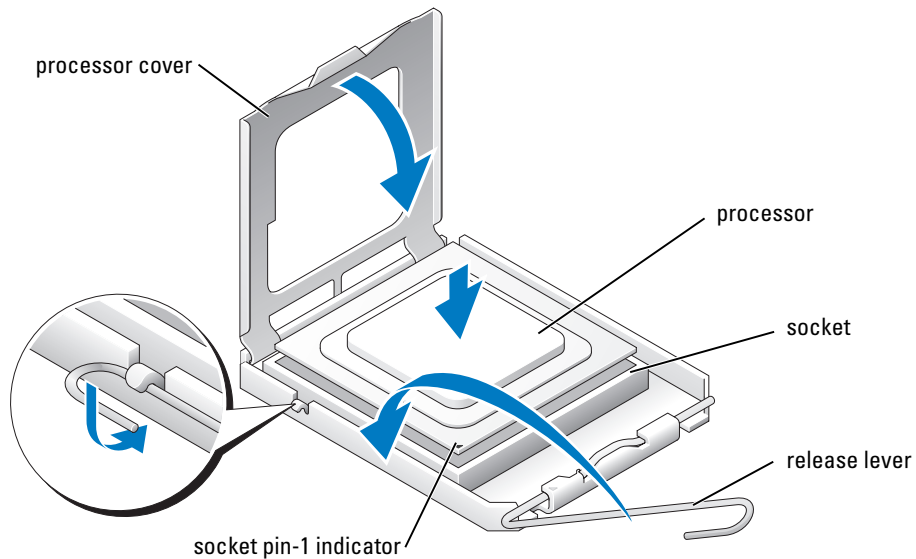
- 8 Remove the processor from the socket.

Leave the release lever extended in the release position so that the socket is ready for the new processor.


Installing the Processor

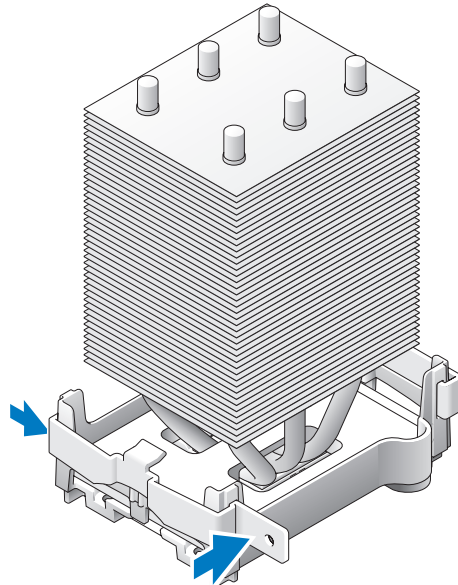
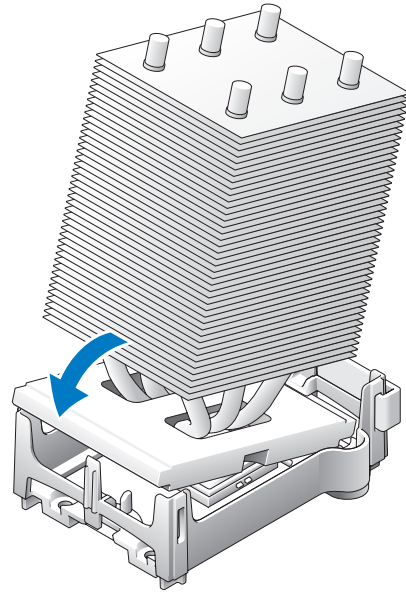
- ➔ **NOTICE:** Ground yourself by touching an unpainted metal surface on the back of the computer.
- 1 Unpack the new processor.
- ➔ **NOTICE:** You must position the processor correctly in the socket to avoid permanent damage to the processor and the computer when you turn on the computer.
- 2 If the release lever on the socket is not fully extended, move it to that position.

- 3 Align the pin-1 corner of the processor and socket.



- ➔ **NOTICE:** Socket pins are delicate. To avoid damage, ensure that the processor is aligned properly with the socket, and do not use excessive force when you install the processor. Be careful not to touch or bend the pins on the system board.
- 4 Set the processor lightly in the socket and ensure that the processor is level in the socket. When the processor is positioned correctly, press it with minimal pressure to seat it.
- 5 When the processor is fully seated in the socket, close the processor cover.
- 6 Pivot the socket release lever back toward the socket and snap it into place to secure the processor.
- 7 Reinstall the retention module clip on the side closest to the processor fan, if necessary.
- ➔ **NOTICE:** If you are *not* installing a processor upgrade kit from Dell, reuse the original heat sink assembly when you replace the processor.
- If you installed a processor replacement kit from Dell, return the original heat sink assembly and processor to Dell in the same package in which your replacement kit was sent.
- 8 Install the heat sink:
- Slide one end of the heat sink under the retention tab and the installed retention module clip.
 - Pull out the other retention tab and lower the heat sink until it fits securely in the base.
- ➔ **NOTICE:** Ensure that the heat sink is correctly seated and secure.

- 9 Reinstall the second retention module clip.
 - 10 Lower the airflow shroud over the heat sink.
 - 11 Reconnect the two cooling fan power cables to the CPU FAN1 and CPU FAN2 connectors (see "System Board Components" on page 78) on the system board.
 - 12 Reconnect the power cable to the POWER12V connector (see "System Board Components" on page 78) on the system board.
 - 13 Close the computer cover (see "Closing the Computer Cover" on page 125).
-  **NOTICE:** To connect a network cable, first plug the cable into the network port or device and then plug it into the computer.
- 14 Connect your computer and devices to electrical outlets, and turn them on.



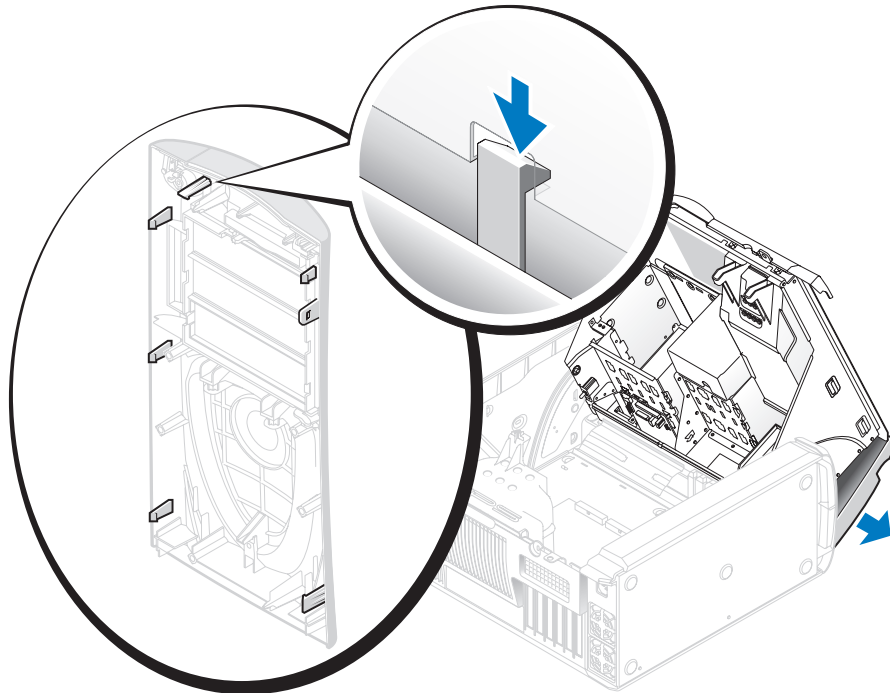
Front Panel

⚠ CAUTION: To prevent static damage to components inside your computer, discharge static electricity from your body before you touch any of your computer's electronic components. You can do so by touching an unpainted metal surface on the computer chassis.

⚠ CAUTION: Before you begin any of the procedures in this section, follow the safety instructions located in the *Product Information Guide*.

Removing the Front Panel

- 1 Follow the procedures in "Before You Begin" on page 69.
- 2 Disconnect and remove all disk drives (see "Drives" on page 95).
- 3 Release the front panel by pressing each of the seven front-panel release tabs.



- 4 Close the computer cover halfway and pull the front panel away from the computer.

Replacing the Front Panel

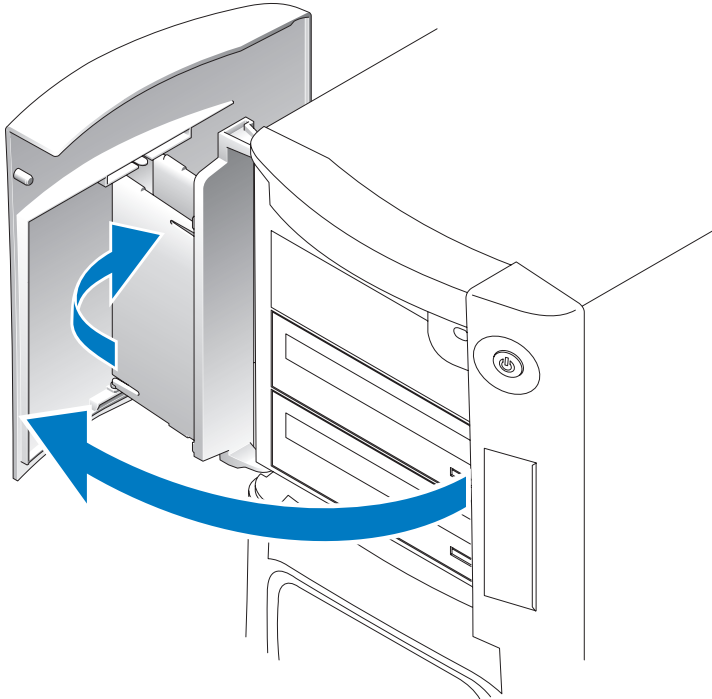
To replace the front panel, perform the removal procedure in reverse order.

Drive Door

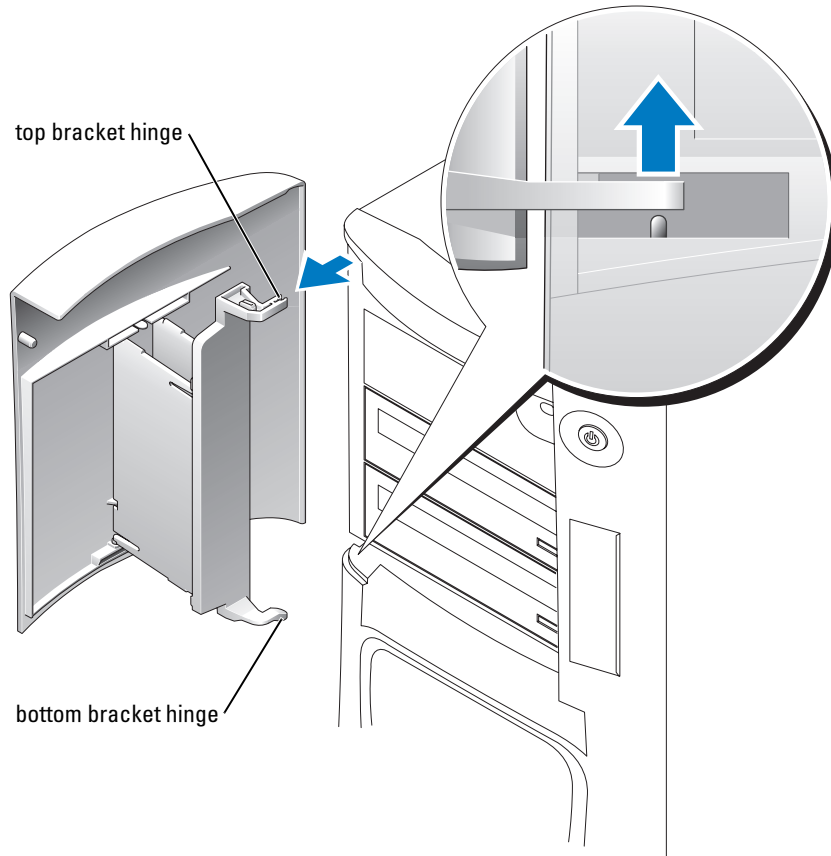
 **CAUTION:** Before you begin any of the procedures in this section, follow the safety instructions located in the *Product Information Guide*.

Removing the Drive Door

- 1 Open the drive door.



- 2 Unsnap the top bracket hinge and pull the top of the drive door outward, away from the computer.



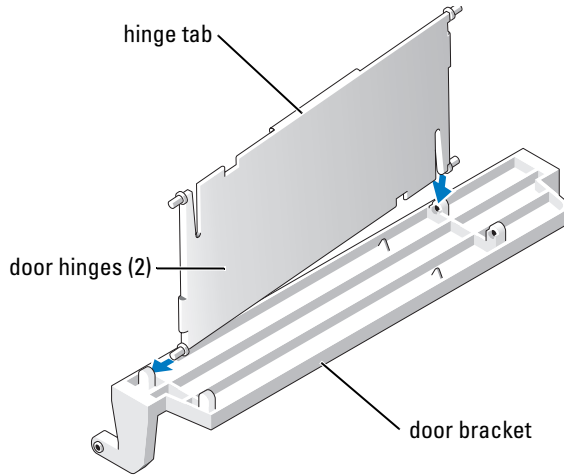
- 3 Lift the bottom bracket hinge away from the computer.

Replacing the Drive Door

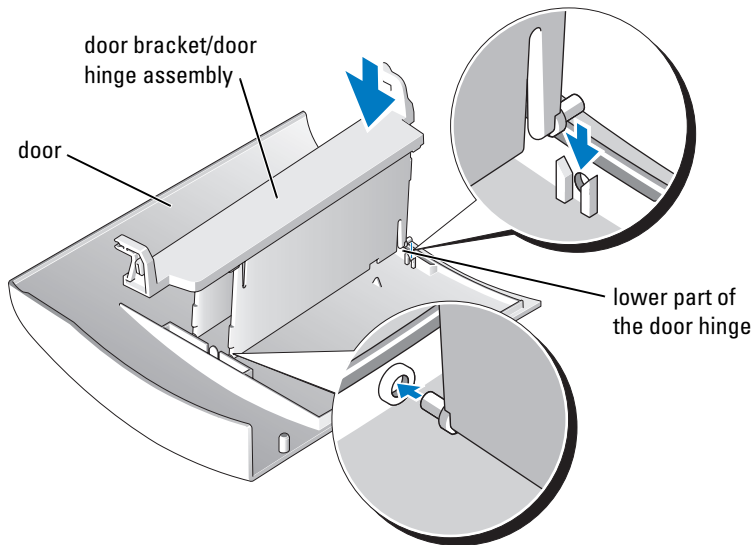
To prevent damage to your computer, the drive door is designed to "break away" from the computer if it is opened too far. If the drive door detaches from the computer without disassembling, perform the removal procedure in reverse.

If the drive door is open and it is opened too far, instead of breaking away from the computer in one piece, the drive door may disassemble into several smaller pieces. If the drive door disassembles:

- 1 If necessary, reattach the door hinges to the door bracket. Ensure that the hinge tabs are away from the door bracket.



- 2 Attach the door bracket/door hinge assembly to the door, starting with the lower part of each door hinge.



- 3 Attach the drive door to the computer, starting with the bottom bracket hinge.

Battery

⚠ CAUTION: Before you begin any of the procedures in this section, follow the safety instructions located in the *Product Information Guide*.

➡ NOTICE: To prevent static damage to components inside your computer, discharge static electricity from your body before you touch any of your computer's electronic components. You can do so by touching an unpainted metal surface on the computer chassis.

Replacing the Battery

A coin-cell battery maintains computer configuration, date, and time information. The battery can last several years.

If you have to repeatedly reset time and date information after turning on the computer, replace the battery.

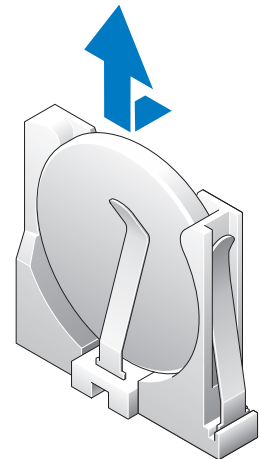
⚠ CAUTION: A new battery can explode if it is incorrectly installed. Replace the battery only with the same or equivalent type recommended by the manufacturer. Discard used batteries according to the manufacturer's instructions.

To replace the battery:

- 1 Record all the screens in system setup (see "System Setup" on page 131) so that you can restore the correct settings in step 8.
- 2 Follow the procedures in "Before You Begin" on page 69.
- 3 Locate the battery socket (see "System Board Components" on page 78).

➡ NOTICE: If you pry the battery out of its socket with a blunt object, be careful not to touch the system board with the object. Ensure that the object is inserted between the battery and the socket before you attempt to pry out the battery. Otherwise, you may damage the system board by prying off the socket or by breaking circuit traces on the system board.

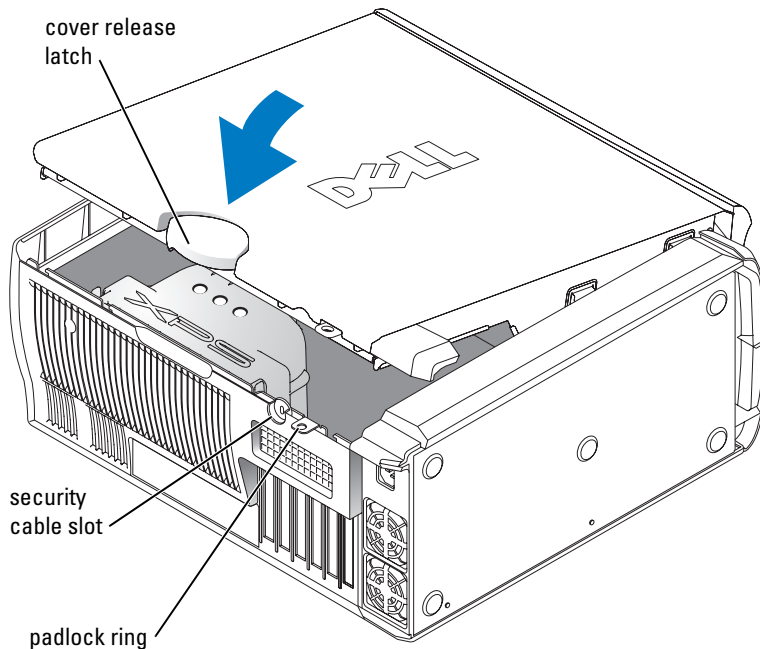
- 4 Remove the battery by prying it out of its socket with your fingers.
- 5 Insert the new battery (CR2032) into the socket with the side labeled "+" facing opposite the metal clip, and press the battery into place.
- 6 Close the computer cover.



- ➔ **NOTICE:** To connect a network cable, first plug the cable into the network port or device and then plug it into the computer.
- 7 Connect your computer and devices to electrical outlets, and turn them on.
 - 8 Enter system setup (see "System Setup" on page 131) and restore the settings you recorded in step 1.
 - 9 Properly dispose of the old battery. See the *Product Information Guide* for battery disposal information.

Closing the Computer Cover

- 1 Ensure that all cables are connected, and fold cables out of the way.
- 2 Ensure that no tools or extra parts are left inside the computer.
- 3 Pivot the cover down and into position.
- 4 Press down on the cover to close it.
- 5 Once the cover is closed, slide the release latch to the right until the latch clicks into place.



- 6 If you are using a padlock to secure your computer, install the padlock.
- ➔ **NOTICE:** To connect a network cable, first plug the cable into the network port or device and then plug it into the computer.
- 7 Connect your computer and devices to electrical outlets, and turn them on.

Appendix

Specifications

Processor

Processor type	Intel® Pentium® 4 Extreme Edition with HT Technology or dual-core processing NOTE: Not all Pentium 4 processors support Hyper-Threading technology or dual-core processing.
Cache	1 MB or 2 MB

Memory

Type	533- and 667-MHz DDR2 unbuffered SDRAM
Memory connectors	four
Memory capacities	256 MB, 512 MB, 1 GB, or 2 GB non-ECC
Minimum memory	512 MB
Maximum memory	2 GB or 8 GB NOTE: See "Addressing Memory Configurations" on page 80 to verify the amount of memory available to the operating system.
BIOS address	F0000h

Computer Information

Chipset	Nvidia nForce4 SLI X16 MCP
DMA channels	five
Interrupt levels	24
BIOS chip (NVRAM)	4 Mb
NIC	integrated network interface capable of 10/100/1000 communication.
System clock	800- or 1066-MHz data rate (depending on your processor)

Video

Type	PCI Express
------	-------------

Audio	
Type	AC97 7.1 channel
Expansion Bus	
Bus type	PCI 32-bit PCI Express x1 and x16
Bus speed	PCI: 33 MHz PCI Express: 2.5 Gb/s raw bandwidth (bidirectional) per lane
Bus throughput	PCI Express: x1 slot bidirectional speed — 500 MB/s x16 slot bidirectional speed — 8 GB/s
PCI	
connector	three
connector size	120 pins
connector data width (maximum)	32 bits
PCI Express	NOTE: If a graphics card is installed in each of the PCI Express x16 card slots in the dual-graphics configuration, the PCI Express x1 card slot is not accessible for use.
connector	one x1
connector size	36 pins
connector data width (maximum)	1 PCI Express lane
PCI Express	
connector	two x16
connector size	164 pins
connector data width (maximum)	16 PCI Express lanes
Drives	
Externally accessible:	one 3.5-inch drive bays three 5.25-inch drive bays
Available devices	Serial ATA drive, floppy drive, memory devices, CD drive, CD-RW drive, DVD drive, DVD-RW drive, and DVD and CD-RW combo drive, media card reader
Internally accessible:	three bays for 1-inch high hard drives

Connectors

External connectors:

IEEE 1394	front and back-panel 6-pin serial connectors
Network adapter	RJ45 connector
PS/2 (keyboard and mouse)	two 6-pin mini-DIN
Serial	9-pin connector
USB	two front-panel, six back-panel, and two internal USB 2.0-compliant connectors

System board connectors:

IDE drive	one 40-pin connector
Serial ATA	four 7-pin connectors
Floppy drive	34-pin connector
Fan	four 5-pin connectors
PCI	three 120-pin connectors
PCI Express x1	36-pin connector
PCI Express x16	two 164-pin connectors

Controls and Lights

Power control	push button
Power light	green light — Blinking green in sleep state; solid green for power-on state. amber light — Blinking amber indicates a problem with an installed device; solid amber indicates an internal power problem (see "Power Problems" on page 49).
Hard-drive access light	green
Link integrity light (on integrated network adapter)	green light — A good connection exists between a 10-Mbps network and the computer. orange light — A good connection exists between a 100-Mbps network and the computer. yellow light — A good connection exists between a 1-GB (or 1000-Mbps) network and the computer. off (no light) — The computer is not detecting a physical connection to the network.
Activity light (on integrated network adapter)	yellow blinking light when there is activity on the network. If there is not any network activity, the light will be off.
Diagnostic lights	four lights on the front panel (See "Diagnostic Lights" on page 55.)

Controls and Lights (continued)

Standby power light	AUXPWR on the system board
Case backlight	color options: off (no light), ruby, emerald, sapphire (default), amber, amethyst, topaz, diamond (See "Changing the Front-Panel Light Color" on page 15.)

Power

650-W DC power supply:

Wattage	650 W
Heat dissipation	1000 BTU/hr
Voltage (see the safety instructions located in the <i>Product Information Guide</i> for important voltage setting information)	fixed-voltage power supply — 110 V at 50/60 Hz manual selection and auto-sensing power supplies — 90 to 135 V at 50/60 Hz; 180 to 265 V at 50/60 Hz; 100 V at 50/60 Hz for Japanese computers
Backup battery	3-V CR2032 lithium coin cell

Physical

Height	49.1 cm (19.3 inches)
Width	22.2 cm (8.7 inches)
Depth	48.8 cm (19.2 inches)
Weight	19 kg (42 lb)

Environmental

Temperature:

Operating	10° to 35°C (50° to 95°F)
Storage	-40° to 65°C (-40° to 149°F)

Relative humidity 20% to 80% (noncondensing)

Maximum vibration:

Operating	0.25 G at 3 to 200 Hz at 0.5 octave/min
Storage	0.5 G at 3 to 200 Hz at 1 octave/min

Maximum shock:

Operating	bottom half-sine pulse with a change in velocity of 20 inches/sec (50.8 cm/sec)
Storage	27-G faired square wave with a velocity change of 200 inches/sec (508 cm/sec)

Environmental (continued)

Altitude:

Operating	-15.2 to 3048 m (-50 to 10,000 ft)
Storage	-15.2 to 10,668 m (-50 to 35,000 ft)

System Setup

Overview

Use system setup as follows:

- To change the system configuration information after you add, change, or remove any hardware in your computer
- To set or change a user-selectable option such as the user password
- To read the current amount of memory or set the type of hard drive installed

Before you use system setup, it is recommended that you write down the system setup screen information for future reference.



NOTICE: Unless you are an expert computer user, do not change the settings for this program. Certain changes can make your computer work incorrectly.

Entering System Setup

- 1 Turn on (or restart) your computer.
- 2 When the blue DELL™ logo appears, press <F2> immediately.


If you wait too long and the operating system logo appears, continue to wait until you see the Microsoft® Windows® desktop. Then shut down your computer (see "Turning Off Your Computer" on page 69) and try again.

System Setup Screens

The system setup screen displays current or changeable configuration information for your computer. Information on the screen is divided into three areas: the options list, the active options field, and key functions.


<p>Options List — This field appears on the left side of the system setup window. The field is a scrollable list containing features that define the configuration of your computer, including installed hardware, power conservation, and security features.</p> <p>Scroll up and down the list with the up- and down-arrow keys. As an option is highlighted, the Option Field displays more information about that option and the option's current and available settings.</p>	<p>Option Field — This field contains information about each option. In this field you can view your current settings and make changes to your settings.</p> <p>Press the left- and right-arrow keys to highlight an option. Press <Enter> to make that selection active.</p>
	<p>Key Functions — This field appears below the Option Field and lists keys and their functions within the active system setup field.</p>

System Setup Options

 **NOTE:** Depending on your computer and installed devices, the items listed in this section may not appear, or may not appear exactly as listed.

System	
System Info	Lists system information such as the computer name, the BIOS version number and date, system tags, and other system-specific information.
CPU Info	Identifies whether the computer's processor supports Hyper-Threading and lists the processor bus speed, processor ID, clock speed, and L2 cache.
Memory Info	Indicates amount of installed memory, memory speed, channel mode (dual or single), and type of memory installed.
PCI Info	Indicates the expansion card type by slot location.
Date/Time	Displays current date and time settings.

Boot Sequence	The computer attempts to boot from the sequence of devices specified in this list. NOTE: If you insert a boot device and restart the computer, this option appears in the system setup menu. To boot from a USB memory device, select the USB device and move it so it becomes the first device in the list.
Drives	
Diskette Drive	Identifies and defines the floppy drive attached to the DSKT connector on the system board as Off , USB , Internal , or Read Only .
SATA Drives 0 through 3	Identifies and defines the SATA drive settings. You can set the SATA drive to On , Off , or RAID On . The default setting is On .
PATA Drives 0 through 1	Identifies the drives attached to the ATA connectors on the system board, and lists the capacity for hard drives.
Smart Reporting	Determines whether hard-drive errors for internal drives are reported during system startup. Off does not report errors. On reports errors.
Onboard Devices	
Integrated NIC	Enables or disables the integrated NIC controller. Off disables the controller. On enables the controller. NOTE: PXE and RPL is required only if you are booting to an operating system on another system; not if you are booting to an operating system on a hard drive in this system.
Audio Controller	Enables or disables the onboard audio controller.
USB Controller	(Default On) Enables or disables the internal USB controller. Off disables the controller. On enables the controller. No Boot enables the controller but disables the ability to boot from a USB device.
1394 Controller	Enables or disables the IEEE 1394 controller.
Serial Port #1	Disables or selects the address for the serial port. Options consist of: Off , Auto (which selects the port automatically and disables it if both addresses are in use), COM1 and COM3 .
PS/2 Mouse Port	Enables or disables the onboard PS/2-compatible mouse controller.
Front LED Color	This setting allows you to change the front-panel back lighting to the following colors: off, ruby, emerald, amber, sapphire, amethyst, topaz, and diamond.
Video	
Primary Video	This setting specifies which video controller is primary when two video controllers are present on the computer.
Performance	
Hyper-Threading	If your processor supports Hyper-Threading, this option appears in the Options List .

Multiple CPU Core	This setting specifies whether more than one core is enabled. The performance of some applications may improve with an additional core enabled. Defaults to On (second core enabled).
HDD Acoustic Mode	<ul style="list-style-type: none"> • Bypass — Your computer does not test or change the current acoustics mode setting. • Quiet (default) — The hard drive operates at its most quiet setting. • Suggested — The hard drive operates at the level suggested by the drive manufacturer. • Performance — The hard drive operates at its maximum speed. <p>NOTE: Switching to performance mode may cause the drive to be noisier, but its performance is not affected.</p> <p>NOTE: Changing the acoustics setting does not alter your hard drive image.</p>
CPU Clock Speed	<p>With this option, it is possible to increase the operating frequency of the processor to a frequency greater than that in the processor manufacturer's design specifications. Use of this option may invalidate your warranty.</p> <p> NOTICE: Dell does not recommend using extended operating frequencies or over-clocking. If you choose to over-clock your processor, the life expectancy of your processor may be reduced. Dell does not guarantee that your computer will remain stable or operate at the extended operating speeds.</p>
Security	This section displays available system security options.
Admin Password	This option provides restricted access to the computer's system setup program in the same way that access to the system can be restricted with the System Password option.
System Password	Displays the current status of the system's password security feature and allows a new system password to be assigned and verified.
Password Changes	This option locks the system password field with the setup password. When the field is locked, you can no longer disable password security by pressing <Ctrl><Enter> when the computer starts.
DEP (Execute Disable)	<ul style="list-style-type: none"> • Opt-In (default) — DEP is enabled by default on computers with NX-capable processors. Only Windows system binaries are covered by DEP with this option. Applications may enable DEP protection through creating an application compatibility shim and installing that shim with the application. • Opt-Out — DEP is enabled for all processes. Users can manually create exceptions for specific applications in System Properties, or IT Pros and ISVs can use the Application Compatibility Toolkit to opt-out. • Always On — Full DEP coverage with no exceptions. • Always Off — No user-mode DEP coverage. Drivers and the Windows core kernel binaries are covered by DEP, but no other binaries are included in the set of covered applications.


Power Management	
AC Recovery	Determines what happens when AC power is restored to the computer.
Auto Power On	<p>Sets the computer to automatically turn on. Choices are every day or every Monday through Friday.</p> <p>The default setting is Off.</p> <p>This feature does not work if you turn off your computer using a power strip or surge protector.</p>
Auto Power Time	<p>Sets time to automatically turn on the computer.</p> <p>Time is kept in a 24-hour format (<i>hours:minutes</i>). Change the start-up time by pressing the right- or left-arrow key to increase or decrease the numbers, or type numbers in both the date and time fields.</p> <p>This feature does not work if you turn off your computer using a power strip or surge protector.</p>
Suspend Mode	The options are S1 , a suspend state where the computer is running in a low-power mode, and S3 , a standby state where the power is reduced or turned off for most components, however, system memory remains active.
Maintenance	
Load Defaults	This setting restores the computer's factory-installed default settings.
Event Log	Displays the system event log.
POST Behavior	
Fastboot	When set to On (default), your computer starts more quickly because it skips certain configurations and tests.
Numlock Key	This option involves the rightmost bank of keys on your keyboard. When set to On (default), this option activates the numeric and mathematical features shown at the top of each key. When set to Off , this option activates the cursor-control functions labeled on the bottom of each key.
POST Hotkeys	This option allows you to specify the function keys to display on the screen when the computer starts.
Keyboard Errors	This option disables or enables keyboard error reporting when the computer starts.


Boot Sequence

This feature allows you to change the boot sequence for devices.

Option Settings


- **Diskette Drive** — The computer attempts to boot from the floppy drive. If the floppy disk in the drive is not bootable, if no floppy disk is in the drive, or if there is no floppy drive installed in the computer, the computer attempts to boot from the next bootable device in the boot sequence.
- **Hard Drive** — The computer attempts to boot from the primary hard drive. If no operating system is on the drive, the computer attempts to boot from the next bootable device in the boot sequence.
- **CD Drive** — The computer attempts to boot from the CD drive. If no CD is in the drive, or if the CD has no operating system, the computer attempts to boot from the next bootable device in the boot sequence.
- **USB Flash Device** — Insert the memory device into a USB port and restart the computer. When **F12 = Boot Menu** appears in the upper-right corner of the screen, press <F12>. The BIOS detects the device and adds the USB flash option to the boot menu.

 **NOTE:** To boot to a USB device, the device must be bootable. To make sure that your device is bootable, check the device documentation.

 **NOTE:** An error message is generated only after the computer attempts to boot from every device in the boot sequence and no operating system is found.

Changing Boot Sequence for the Current Boot

You can use this feature, for example, to tell the computer to boot from the CD drive so that you can run the Dell Diagnostics on the *Dell ResourceCD*, but you want the computer to boot from the hard drive when the diagnostic tests are complete. You can also use this feature to restart your computer to a USB device such as a floppy drive, memory key, or CD-RW drive.

 **NOTE:** If you are booting to a USB floppy drive, you must first set the floppy drive to **OFF** in system setup (see "System Setup" on page 131).


- 1 If you are booting to a USB device, connect the USB device to a USB connector (see "Front View (Doors Open)" on page 72).
- 2 Turn on (or restart) your computer.
- 3 When **F2 = Setup**, **F12 = Boot Menu** appears in the upper-right corner of the screen, press <F12>.

If you wait too long and the operating system logo appears, continue to wait until you see the Microsoft Windows desktop. Then shut down your computer (see "Turning Off Your Computer" on page 69) and try again.

The **Boot Device Menu** appears, listing all available boot devices. Each device has a number next to it.


- 4 At the bottom of the menu, enter the number of the device that is to be used for the current boot only.

For example, if you are booting to a USB memory key, highlight **USB Flash Device** and press <Enter>.

 **NOTE:** To boot to a USB device, the device must be bootable. To make sure that your device is bootable, check the device documentation.

Changing Boot Sequence for Future Boots

- 1 Enter system setup (see "Entering System Setup" on page 131).
- 2 Use the arrow keys to highlight the **Boot Sequence** menu option and press <Enter> to access the menu.

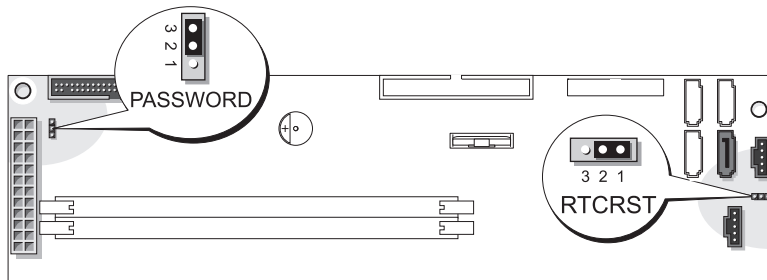
 **NOTE:** Write down your current boot sequence in case you want to restore it.

- 3 Press the up- and down-arrow keys to move through the list of devices.
- 4 Press the spacebar to enable or disable a device (enabled devices have a checkmark).
- 5 Press plus (+) or minus (-) to move a selected device up or down the list.


Clearing Forgotten Passwords

 **CAUTION:** Before you begin any of the procedures in this section, follow the safety instructions located in the *Product Information Guide*.


- 1 Follow the procedures in "Before You Begin" on page 69.



- 2 Locate the 3-pin password jumper (PASSWORD) on the system board (see "System Board Components" on page 78), and attach the jumper plug to pins 2 and 3 to clear the password.

 **NOTE:** When you receive your computer, the jumper plug is attached to pins 1 and 2.


- 3 Close the computer cover.
- 4 Connect your computer and monitor to electrical outlets, and turn them on.

- 5 After the Microsoft® Windows® desktop appears on your computer, shut down the computer (see "Turning Off Your Computer" on page 69).
- 6 Turn off the monitor and disconnect it from the electrical outlet.
- 7 Disconnect the computer power cable from the electrical outlet, and press the power button to ground the system board.
- 8 Open the computer cover (see "Opening the Computer Cover" on page 76).
- 9 Locate the 3-pin password jumper on the system board (see "System Board Components" on page 78) and attach the jumper to pins 1 and 2 to reenable the password feature.
- 10 Replace the computer cover (see "Closing the Computer Cover" on page 125).
-  **NOTICE:** To connect a network cable, first plug the cable into the network wall jack and then plug it into the computer.
- 11 Connect your computer and devices to electrical outlets, and turn them on.

Clearing CMOS Settings




CAUTION: Before you begin any of the procedures in this section, follow the safety instructions located in the *Product Information Guide*.

- 1 Follow the procedures in "Before You Begin" on page 69.
- 2 Reset the current CMOS settings:
 - a Locate the 3-pin CMOS jumper (RTCRST) on the system board (see "System Board Components" on page 78).
 - b Remove the jumper plug from pins 1 and 2.
 - c Place the jumper plug on pins 2 and 3 and wait approximately 5 seconds.
 - d Replace the jumper plug on pins 1 and 2.
- 3 Close the computer cover (see "Closing the Computer Cover" on page 125).
-  **NOTICE:** To connect a network cable, first plug the cable into the network wall jack and then plug it into the computer.
- 4 Connect your computer and devices to electrical outlets, and turn them on.


Cleaning Your Computer

 **CAUTION:** Before you begin any of the procedures in this section, follow the safety instructions located in the *Product Information Guide*.

Computer, Keyboard, and Monitor

 **CAUTION:** Before you clean your computer, disconnect the computer from the electrical outlet. Clean your computer with a soft cloth dampened with water. Do not use liquid or aerosol cleaners, which may contain flammable substances.

- Use a vacuum cleaner with a brush attachment to gently remove dust from the slots and holes on your computer and from between the keys on the keyboard.

 **NOTICE:** Do not wipe the display screen with any soap or alcohol solution. Doing so may damage the antiglare coating.

- To clean your monitor screen, lightly dampen a soft, clean cloth with water. If possible, use a special screen-cleaning tissue or solution suitable for the monitor's antistatic coating.
- Wipe the keyboard, computer, and plastic part of the monitor with a soft cleaning cloth moistened with a solution of three parts water and one part dishwashing detergent.


Do not soak the cloth or let water drip inside your computer or keyboard.

Mouse

If your screen cursor skips or moves abnormally, clean the mouse. To clean a non-optical mouse:

- 1 Turn the retainer ring on the underside of your mouse counterclockwise, and then remove the ball.
- 2 Wipe the ball with a clean, lint-free cloth.
- 3 Blow carefully into the ball cage to dislodge dust and lint.
- 4 If the rollers inside the ball cage are dirty, clean the rollers with a cotton swab moistened lightly with isopropyl alcohol.
- 5 Recenter the rollers in their channels if they are misaligned. Ensure that fluff from the swab is not left on the rollers.
- 6 Replace the ball and retainer ring, and turn the retainer ring clockwise until it clicks into place.

Floppy Drive

 **NOTICE:** Do not attempt to clean drive heads with a swab. You might accidentally misalign the heads, which prevents the drive from operating.

Clean your floppy drive using a commercially available cleaning kit. These kits contain pretreated floppy disks to remove contaminants that accumulate during normal operation.

CDs and DVDs

- ➔ **NOTICE:** Always use compressed air to clean the lens in the CD/DVD drive, and follow the instructions that come with the compressed air. Never touch the lens in the drive.

If you notice problems, such as skipping, with the playback quality of your CDs or DVDs, try cleaning the discs.

- 1 Hold the disc by its outer edge. You can also touch the inside edge of the center hole.

- ➔ **NOTICE:** To prevent damaging the surface, do not wipe in a circular motion around the disc.

- 2 With a soft, lint-free cloth, gently wipe the bottom of the disc (the unlabeled side) in a straight line from the center to the outer edge of the disc.

For stubborn dirt, try using water or a diluted solution of water and mild soap. You can also purchase commercial products that clean discs and provide some protection from dust, fingerprints, and scratches. Cleaning products for CDs are safe to use on DVDs.

Dell Technical Support Policy (U.S. Only)

Technician-assisted technical support requires the cooperation and participation of the customer in the troubleshooting process and provides for restoration of the operating system, software programs, and hardware drivers to the original default configuration as shipped from Dell, as well as the verification of appropriate functionality of the computer and all Dell-installed hardware. In addition to this technician-assisted technical support, online technical support is available at support.dell.com. Additional technical support options may be available for purchase.

Dell provides limited technical support for the computer and any "Dell-installed" software and peripherals¹. Support for third-party software and peripherals is provided by the original manufacturer, including those purchased and/or installed through Dell Software and Peripherals, Readyware, and Custom Factory Integration².

¹ Repair services are provided pursuant to the terms and conditions of your limited warranty and any optional support service contract purchased with the computer.

² All Dell-standard components included in a Custom Factory Integration (CFI) project are covered by the standard Dell limited warranty for your computer. However, Dell also extends a parts replacement program to cover all nonstandard, third-party hardware components integrated through CFI for the duration of the computer's service contract.

Definition of "Dell-Installed" Software and Peripherals

Dell-installed software includes the operating system and some of the software programs that are installed on the computer during the manufacturing process (Microsoft[®] Office, Norton Antivirus, and so on).

Dell-installed peripherals include any internal expansion cards, or Dell-branded module bay or PC Card accessories. In addition, any Dell-branded monitors, keyboards, mice, speakers, microphones for telephonic modems, docking stations/port replicators, networking products, and all associated cabling are included.

Definition of "Third-Party" Software and Peripherals

Third-party software and peripherals include any peripheral, accessory, or software program sold by Dell not under the Dell brand (printers, scanners, cameras, games, and so on). Support for all third-party software and peripherals is provided by the original manufacturer of the product.

FCC Notices (U.S. Only)

Most Dell computer systems are classified by the Federal Communications Commission (FCC) as Class B digital devices. To determine which classification applies to your computer system, examine all FCC registration labels located on the bottom, side, or back panel of your computer, on card-mounting brackets, and on the cards themselves. If any one of the labels carries a Class A rating, your entire system is considered to be a Class A digital device. If *all* labels carry an FCC Class B rating as distinguished by either an FCC ID number or the FCC logo, (FCC), your system is considered to be a Class B digital device.

Once you have determined your system's FCC classification, read the appropriate FCC notice. Note that FCC regulations provide that changes or modifications not expressly approved by Dell could void your authority to operate this equipment.

This device complies with Part 15 of the FCC Rules. Operation is subject to the following two conditions:

This device may not cause harmful interference.

This device must accept any interference received, including interference that may cause undesired operation.

Class A

This equipment has been tested and found to comply with the limits for a Class A digital device pursuant to Part 15 of the FCC Rules. These limits are designed to provide reasonable protection against harmful interference when the equipment is operated in a commercial environment. This equipment generates, uses, and can radiate radio frequency energy and, if not installed and used in accordance with the manufacturer's instruction manual, may cause harmful interference with radio communications. Operation of this equipment in a residential area is likely to cause harmful interference, in which case you will be required to correct the interference at your own expense.

Class B

This equipment has been tested and found to comply with the limits for a Class B digital device pursuant to Part 15 of the FCC Rules. These limits are designed to provide reasonable protection against harmful interference in a residential installation. This equipment generates, uses, and can radiate radio frequency energy and, if not installed and used in accordance with the manufacturer's instruction manual, may cause interference with radio communications. However, there is no guarantee that interference will not occur in a particular installation. If this equipment does cause harmful interference to radio or television reception, which can be determined by turning the equipment off and on, you are encouraged to try to correct the interference by one or more of the following measures:

- Reorient or relocate the receiving antenna.
- Increase the separation between the equipment and the receiver.
- Connect the equipment into an outlet on a circuit different from that to which the receiver is connected.
- Consult the dealer or an experienced radio/television technician for help.

FCC Identification Information

The following information is provided on the device or devices covered in this document in compliance with FCC regulations:

- Model number: WHL

Company name:

Dell Inc.
One Dell Way
Round Rock, Texas 78682 USA
512-338-4400

Contacting Dell

To contact Dell electronically, you can access the following websites:

- www.dell.com
- support.dell.com (technical support)
- premiersupport.dell.com (technical support for educational, government, healthcare, and medium/large business customers, including Premier, Platinum, and Gold customers)

For specific web addresses for your country, find the appropriate country section in the table below.

NOTE: Toll-free numbers are for use within the country for which they are listed.

NOTE: In certain countries, technical support specific to Dell™ XPS portable computers is available at a separate telephone number listed for participating countries. If you do not see a telephone number listed that is specific for portable XPS computers, you may contact Dell through the technical support number listed and your call will be routed appropriately.

When you need to contact Dell, use the electronic addresses, telephone numbers, and codes provided in the following table. If you need assistance in determining which codes to use, contact a local or an international operator.

Country (City) International Access Code Country Code City Code	Department Name or Service Area, Website and E-Mail Address	Area Codes, Local Numbers, and Toll-Free Numbers
Anguilla	General Support	toll-free: 800-335-0031
Antigua and Barbuda	General Support	1-800-805-5924
Argentina (Buenos Aires) International Access Code: 00 Country Code: 54 City Code: 11	Website: www.dell.com.ar E-mail: us_latin_services@dell.com E-mail for desktop and portable computers: la-techsupport@dell.com E-mail for servers and EMC® storage products: la_enterprise@dell.com	Customer Care toll-free: 0-800-444-0730 Tech Support toll-free: 0-800-444-0733 Tech Support Services toll-free: 0-800-444-0724 Sales 0-810-444-3355
Aruba	General Support	toll-free: 800-1578
Australia (Sydney) International Access Code: 0011 Country Code: 61 City Code: 2	E-mail (Australia): au_tech_support@dell.com E-mail (New Zealand): nz_tech_support@dell.com Home and Small Business Government and Business Preferred Accounts Division (PAD) Customer Care Technical Support (portables and desktops) Technical Support (servers and workstations) Corporate Sales Transaction Sales Fax	1-300-655-533 toll-free: 1-800-633-559 toll-free: 1-800-060-889 toll-free: 1-800-819-339 toll-free: 1-300-655-533 toll-free: 1-800-733-314 toll-free: 1-800-808-385 toll-free: 1-800-808-312 toll-free: 1-800-818-341

Country (City) International Access Code Country Code City Code	Department Name or Service Area, Website and E-Mail Address	Area Codes, Local Numbers, and Toll-Free Numbers
Austria (Vienna)	Website: support.euro.dell.com	
International Access Code: 900	E-mail: tech_support_central_europe@dell.com	
Country Code: 43	Home/Small Business Sales	0820 240 530 00
City Code: 1	Home/Small Business Fax	0820 240 530 49
	Home/Small Business Customer Care	0820 240 530 14
	Preferred Accounts/Corporate Customer Care	0820 240 530 16
	Technical Support for portable XPS computers only	0820 240 530 81
	Home/Small Business Technical Support for all other Dell computers	0820 240 530 14
	Preferred Accounts/Corporate Technical Support	0660 8779
	Switchboard	0820 240 530 00
Bahamas	General Support	toll-free: 1-866-278-6818
Barbados	General Support	1-800-534-3066
Belgium (Brussels)	Website: support.euro.dell.com	
International Access Code: 00	E-mail for French-speaking Customers: support.euro.dell.com/be/fr/emaildell/	
Country Code: 32	Technical Support for portable XPS computers only	02 481 92 96
City Code: 2	Technical Support for all other Dell computers	02 481 92 88
	Technical Support Fax	02 481 92 95
	Customer Care	02 713 15 .65
	Corporate Sales	02 481 91 00
	Fax	02 481 92 99
	Switchboard	02 481 91 00
Bermuda	General Support	1-800-342-0671
Bolivia	General Support	toll-free: 800-10-0238
Brazil	Website: www.dell.com/br	
International Access Code: 00	Customer Support, Technical Support	0800 90 3355
Country Code: 55	Technical Support Fax	51 481 5470
City Code: 51	Customer Care Fax	51 481 5480
	Sales	0800 90 3390
British Virgin Islands	General Support	toll-free: 1-866-278-6820

Country (City) International Access Code Country Code City Code	Department Name or Service Area, Website and E-Mail Address	Area Codes, Local Numbers, and Toll-Free Numbers
Brunei	Customer Technical Support (Penang, Malaysia)	604 633 4966
Country Code: 673	Customer Service (Penang, Malaysia)	604 633 4949
	Transaction Sales (Penang, Malaysia)	604 633 4955
Canada (North York, Ontario)	Online Order Status: www.dell.ca/ostatus	
International Access Code: 011	AutoTech (automated technical support)	toll-free: 1-800-247-9362
	Customer Care (Home Sales/Small Business)	toll-free: 1-800-847-4096
	Customer Care (med./large business, government)	toll-free: 1-800-326-9463
	Technical Support (Home Sales/Small Business)	toll-free: 1-800-847-4096
	Technical Support (med./large bus., government)	toll-free: 1-800-387-5757
	Technical Support (printers, projectors, televisions, handhelds, digital jukebox, and wireless)	1-877-335-5767
	Sales (Home Sales/Small Business)	toll-free: 1-800-387-5752
	Sales (med./large bus., government)	toll-free: 1-800-387-5755
	Spare Parts Sales & Extended Service Sales	1 866 440 3355
Cayman Islands	General Support	1-800-805-7541
Chile (Santiago)	Sales, Customer Support, and Technical Support	toll-free: 1230-020-4823
Country Code: 56		
City Code: 2		

Country (City) International Access Code Country Code City Code	Department Name or Service Area, Website and E-Mail Address	Area Codes, Local Numbers, and Toll-Free Numbers
China (Xiamen) Country Code: 86 City Code: 592	Technical Support website: support.dell.com.cn Technical Support E-mail: cn_support@dell.com Customer Care E-mail: customer_cn@dell.com Technical Support Fax Technical Support (Dell™ Dimension™ and Inspiron™) Technical Support (OptiPlex™, Latitude™, and Dell Precision™) Technical Support (servers and storage) Technical Support (projectors, PDAs, switches, routers, and so on) Technical Support (printers) Customer Care Customer Care Fax Home and Small Business Preferred Accounts Division Large Corporate Accounts GCP Large Corporate Accounts Key Accounts Large Corporate Accounts North Large Corporate Accounts North Government and Education Large Corporate Accounts East Large Corporate Accounts East Government and Education Large Corporate Accounts Queue Team Large Corporate Accounts South Large Corporate Accounts West Large Corporate Accounts Spare Parts	592 818 1350 toll-free: 800 858 2969 toll-free: 800 858 0950 toll-free: 800 858 0960 toll-free: 800 858 2920 toll-free: 800 858 2311 toll-free: 800 858 2060 592 818 1308 toll-free: 800 858 2222 toll-free: 800 858 2557 toll-free: 800 858 2055 toll-free: 800 858 2628 toll-free: 800 858 2999 toll-free: 800 858 2955 toll-free: 800 858 2020 toll-free: 800 858 2669 toll-free: 800 858 2572 toll-free: 800 858 2355 toll-free: 800 858 2811 toll-free: 800 858 2621
Colombia	General Support	980-9-15-3978
Costa Rica	General Support	0800-012-0435

Country (City) International Access Code Country Code City Code	Department Name or Service Area, Website and E-Mail Address	Area Codes, Local Numbers, and Toll-Free Numbers
Czech Republic (Prague)	Website: support.euro.dell.com	
International Access Code: 00	E-mail: czech_dell@dell.com	
Country Code: 420	Technical Support	22537 2727
	Customer Care	22537 2707
	Fax	22537 2714
	Tech Fax	22537 2728
	Switchboard	22537 2711
Denmark (Copenhagen)	Website: support.euro.dell.com	
International Access Code: 00	E-mail: support.euro.dell.com/dk/da/emaildell/	
Country Code: 45	Technical Support for portable XPS computers only	7010 0074
	Technical Support for all other Dell computers	7023 0182
	Customer Care (Relational)	7023 0184
	Home/Small Business Customer Care	3287 5505
	Switchboard (Relational)	3287 1200
	Switchboard Fax (Relational)	3287 1201
	Switchboard (Home/Small Business)	3287 5000
	Switchboard Fax (Home/Small Business)	3287 5001
Dominica	General Support	toll-free: 1-866-278-6821
Dominican Republic	General Support	1-800-148-0530
Ecuador	General Support	toll-free: 999-119
El Salvador	General Support	01-899-753-0777
Finland (Helsinki)	Website: support.euro.dell.com	
International Access Code: 990	E-mail: support.euro.dell.com/fi/fi/emaildell/	
Country Code: 358	Technical Support	09 253 313 60
City Code: 9	Customer Care	09 253 313 38
	Fax	09 253 313 99
	Switchboard	09 253 313 00

Country (City) International Access Code Country Code City Code	Department Name or Service Area, Website and E-Mail Address	Area Codes, Local Numbers, and Toll-Free Numbers
France (Paris) (Montpellier) International Access Code: 00 Country Code: 33 City Codes: (1) (4)	Website: support.euro.dell.com	
	E-mail: support.euro.dell.com/fr/fr/emaildell/	
	Home and Small Business	
	Technical Support for portable XPS computers only	0825 387 129
	Technical Support for all other Dell computers	0825 387 270
	Customer Care	0825 823 833
	Switchboard	0825 004 700
	Switchboard (calls from outside of France)	04 99 75 40 00
	Sales	0825 004 700
	Fax	0825 004 701
	Fax (calls from outside of France)	04 99 75 40 01
	Corporate	
	Technical Support	0825 004 719
	Customer Care	0825 338 339
	Switchboard	01 55 94 71 00
Sales	01 55 94 71 00	
Fax	01 55 94 71 01	
Germany (Langen) International Access Code: 00 Country Code: 49 City Code: 6103	Website: support.euro.dell.com	
	E-mail: tech_support_central_europe@dell.com	
	Technical Support for portable XPS computers only	06103 766-7222
	Technical Support for all other Dell computers	06103 766-7200
	Home/Small Business Customer Care	0180-5-224400
	Global Segment Customer Care	06103 766-9570
	Preferred Accounts Customer Care	06103 766-9420
	Large Accounts Customer Care	06103 766-9560
	Public Accounts Customer Care	06103 766-9555
Switchboard	06103 766-7000	

Country (City) International Access Code Country Code City Code	Department Name or Service Area, Website and E-Mail Address	Area Codes, Local Numbers, and Toll-Free Numbers
Greece	Website: support.euro.dell.com	
International Access Code: 00	E-mail: support.euro.dell.com/gr/en/emaildell/	
Country Code: 30	Technical Support	00800-44 14 95 18
	Gold Service Technical Support	00800-44 14 00 83
	Switchboard	2108129810
	Gold Service Switchboard	2108129811
	Sales	2108129800
	Fax	2108129812
Grenada	General Support	toll-free: 1-866-540-3355
Guatemala	General Support	1-800-999-0136
Guyana	General Support	toll-free: 1-877-270-4609
Hong Kong	Website: support.ap.dell.com	
International Access Code: 001	Technical Support E-mail: apsupport@dell.com	
Country Code: 852	Technical Support (Dimension and Inspiron)	2969 3188
	Technical Support (OptiPlex, Latitude, and Dell Precision)	2969 3191
	Technical Support (PowerApp™, PowerEdge™, PowerConnect™, and PowerVault™)	2969 3196
	Customer Care	3416 0910
	Large Corporate Accounts	3416 0907
	Global Customer Programs	3416 0908
	Medium Business Division	3416 0912
	Home and Small Business Division	2969 3105
India	Technical Support	1600 33 8045
	Sales (Large Corporate Accounts)	1600 33 8044
	Sales (Home and Small Business)	1600 33 8046

Country (City) International Access Code Country Code City Code	Department Name or Service Area, Website and E-Mail Address	Area Codes, Local Numbers, and Toll-Free Numbers
Ireland (Cherrywood)	Website: support.euro.dell.com	
International Access Code: 16	E-mail: dell_direct_support@dell.com	
Country Code: 353	Technical Support for portable XPS computers only	1850 200 722
City Code: 1	Technical Support for all other Dell computers	1850 543 543
	U.K. Technical Support (dial within U.K. only)	0870 908 0800
	Home User Customer Care	01 204 4014
	Small Business Customer Care	01 204 4014
	U.K. Customer Care (dial within U.K. only)	0870 906 0010
	Corporate Customer Care	1850 200 982
	Corporate Customer Care (dial within U.K. only)	0870 907 4499
	Ireland Sales	01 204 4444
	U.K. Sales (dial within U.K. only)	0870 907 4000
	Fax/Sales Fax	01 204 0103
	Switchboard	01 204 4444
Italy (Milan)	Website: support.euro.dell.com	
International Access Code: 00	E-mail: support.euro.dell.com/it/it/emaildell/	
Country Code: 39	Home and Small Business	
City Code: 02	Technical Support	02 577 826 90
	Customer Care	02 696 821 14
	Fax	02 696 821 13
	Switchboard	02 696 821 12
	Corporate	
	Technical Support	02 577 826 90
	Customer Care	02 577 825 55
	Fax	02 575 035 30
	Switchboard	02 577 821
Jamaica	General Support (dial from within Jamaica only)	1-800-682-3639

Country (City) International Access Code Country Code City Code	Department Name or Service Area, Website and E-Mail Address	Area Codes, Local Numbers, and Toll-Free Numbers
Japan (Kawasaki)	Website: support.jp.dell.com	
International Access Code: 001	Technical Support (servers)	toll-free: 0120-198-498
Country Code: 81	Technical Support outside of Japan (servers)	81-44-556-4162
City Code: 44	Technical Support (Dimension and Inspiron)	toll-free: 0120-198-226
	Technical Support outside of Japan (Dimension and Inspiron)	81-44-520-1435
	Technical Support (Dell Precision, OptiPlex, and Latitude)	toll-free:0120-198-433
	Technical Support outside of Japan (Dell Precision, OptiPlex, and Latitude)	81-44-556-3894
	Technical Support (PDAs, projectors, printers, routers)	toll-free: 0120-981-690
	Technical Support outside of Japan (PDAs, projectors, printers, routers)	81-44-556-3468
	Faxbox Service	044-556-3490
	24-Hour Automated Order Service	044-556-3801
	Customer Care	044-556-4240
	Business Sales Division (up to 400 employees)	044-556-1465
	Preferred Accounts Division Sales (over 400 employees)	044-556-3433
	Large Corporate Accounts Sales (over 3500 employees)	044-556-3430
	Public Sales (government agencies, educational institutions, and medical institutions)	044-556-1469
	Global Segment Japan	044-556-3469
	Individual User	044-556-1760
	Switchboard	044-556-4300
Korea (Seoul)	Technical Support	toll-free: 080-200-3800
International Access Code: 001	Sales	toll-free: 080-200-3600
Country Code: 82	Customer Service (Penang, Malaysia)	604 633 4949
City Code: 2	Fax	2194-6202
	Switchboard	2194-6000
	Technical Support (Electronics and Accessories)	toll-free: 080-200-3801

Country (City) International Access Code Country Code City Code	Department Name or Service Area, Website and E-Mail Address	Area Codes, Local Numbers, and Toll-Free Numbers
Latin America	Customer Technical Support (Austin, Texas, U.S.A.)	512 728-4093
	Customer Service (Austin, Texas, U.S.A.)	512 728-3619
	Fax (Technical Support and Customer Service) (Austin, Texas, U.S.A.)	512 728-3883
	Sales (Austin, Texas, U.S.A.)	512 728-4397
	SalesFax (Austin, Texas, U.S.A.)	512 728-4600 or 512 728-3772
Luxembourg	Website: support.euro.dell.com	
International Access Code: 00	E-mail: tech_be@dell.com	
Country Code: 352	Technical Support (Brussels, Belgium)	3420808075
	Home/Small Business Sales (Brussels, Belgium)	toll-free: 080016884
	Corporate Sales (Brussels, Belgium)	02 481 91 00
	Customer Care (Brussels, Belgium)	02 481 91 19
	Fax (Brussels, Belgium)	02 481 92 99
	Switchboard (Brussels, Belgium)	02 481 91 00
Macao	Technical Support	toll-free: 0800 105
Country Code: 853	Customer Service (Xiamen, China)	34 160 910
	Transaction Sales (Xiamen, China)	29 693 115
Malaysia (Penang)	Website: support.ap.dell.com	
International Access Code: 00	Technical Support (Dell Precision, OptiPlex, and Latitude)	toll-free: 1 800 88 0193
Country Code: 60	Technical Support (Dimension, Inspiron, and Electronics and Accessories)	toll-free: 1 800 88 1306
City Code: 4	Technical Support (PowerApp, PowerEdge, PowerConnect, and PowerVault)	toll-free: 1800 88 1386
	Customer Service (Penang, Malaysia)	04 633 4949
	Transaction Sales	toll-free: 1 800 888 202
	Corporate Sales	toll-free: 1 800 888 213

Country (City) International Access Code Country Code City Code	Department Name or Service Area, Website and E-Mail Address	Area Codes, Local Numbers, and Toll-Free Numbers
Mexico International Access Code: 00 Country Code: 52	Customer Technical Support Sales Customer Service Main	001-877-384-8979 or 001-877-269-3383 50-81-8800 or 01-800-888-3355 001-877-384-8979 or 001-877-269-3383 50-81-8800 or 01-800-888-3355
Montserrat	General Support	toll-free: 1-866-278-6822
Netherlands Antilles	General Support	001-800-882-1519
Netherlands (Amsterdam) International Access Code: 00 Country Code: 31 City Code: 20	Website: support.euro.dell.com Technical Support for portable XPS computers only Technical Support for all other Dell computers Technical Support Fax Home/Small Business Customer Care Relational Customer Care Home/Small Business Sales Relational Sales Home/Small Business Sales Fax Relational Sales Fax Switchboard Switchboard Fax	020 674 45 94 020 674 45 00 020 674 47 66 020 674 42 00 020 674 4325 020 674 55 00 020 674 50 00 020 674 47 75 020 674 47 50 020 674 50 00 020 674 47 50
New Zealand International Access Code: 00 Country Code: 64	E-mail (New Zealand): nz_tech_support@dell.com E-mail (Australia): au_tech_support@dell.com Technical Support (for desktop and portable computers) Technical Support (for servers and workstations) Home and Small Business Government and Business Sales Fax	toll-free: 0800 446 255 toll-free: 0800 443 563 0800 446 255 0800 444 617 0800 441 567 0800 441 566

Country (City) International Access Code Country Code City Code	Department Name or Service Area, Website and E-Mail Address	Area Codes, Local Numbers, and Toll-Free Numbers
Nicaragua	General Support	001-800-220-1006
Norway (Lysaker)	Website: support.euro.dell.com	
International Access Code: 00	E-mail: support.euro.dell.com/no/no/emaildell/	
Country Code: 47	Technical Support	671 16882
	Relational Customer Care	671 17575
	Home/Small Business Customer Care	23162298
	Switchboard	671 16800
	Fax Switchboard	671 16865
Panama	General Support	001-800-507-0962
Peru	General Support	0800-50-669
Poland (Warsaw)	Website: support.euro.dell.com	
International Access Code: 011	E-mail: pl_support_tech@dell.com	
Country Code: 48	Customer Service Phone	57 95 700
City Code: 22	Customer Care	57 95 999
	Sales	57 95 999
	Customer Service Fax	57 95 806
	Reception Desk Fax	57 95 998
	Switchboard	57 95 999
Portugal	Website: support.euro.dell.com	
International Access Code: 00	E-mail: support.euro.dell.com/pt/en/emaildell/	
Country Code: 351	Technical Support	707200149
	Customer Care	800 300 413
	Sales	800 300 410 or 800 300 411 or 800 300 412 or 21 422 07 10
	Fax	21 424 01 12
Puerto Rico	General Support	1-800-805-7545
St. Kitts and Nevis	General Support	toll-free: 1-877-441-4731
St. Lucia	General Support	1-800-882-1521
St. Vincent and the Grenadines	General Support	toll-free: 1-877-270-4609

Country (City) International Access Code Country Code City Code	Department Name or Service Area, Website and E-Mail Address	Area Codes, Local Numbers, and Toll-Free Numbers
Singapore (Singapore)	Website: support.ap.dell.com	
International Access Code: 005	Technical Support (Dimension, Inspiron, and Electronics and Accessories)	toll-free: 1800 394 7430
Country Code: 65	Technical Support (OptiPlex, Latitude, and Dell Precision)	toll-free: 1800 394 7488
	Technical Support (PowerApp, PowerEdge, PowerConnect, and PowerVault)	toll-free: 1800 394 7478
	Customer Service (Penang, Malaysia)	604 633 4949
	Transaction Sales	toll-free: 1 800 394 7412
	Corporate Sales	toll-free: 1 800 394 7419
Slovakia (Prague)	Website: support.euro.dell.com	
International Access Code: 00	E-mail: czech_dell@dell.com	
Country Code: 421	Technical Support	02 5441 5727
	Customer Care	420 22537 2707
	Fax	02 5441 8328
	Tech Fax	02 5441 8328
	Switchboard (Sales)	02 5441 7585
South Africa (Johannesburg)	Website: support.euro.dell.com	
International Access Code: 09/091	E-mail: dell_za_support@dell.com	
Country Code: 27	Gold Queue	011 709 7713
City Code: 11	Technical Support	011 709 7710
	Customer Care	011 709 7707
	Sales	011 709 7700
	Fax	011 706 0495
	Switchboard	011 709 7700
Southeast Asian and Pacific Countries	Customer Technical Support, Customer Service, and Sales (Penang, Malaysia)	604 633 4810

Country (City) International Access Code Country Code City Code	Department Name or Service Area, Website and E-Mail Address	Area Codes, Local Numbers, and Toll-Free Numbers
Spain (Madrid)	Website: support.euro.dell.com	
International Access Code: 00	E-mail: support.euro.dell.com/es/es/emaildell/	
Country Code: 34	Home and Small Business	
City Code: 91	Technical Support	902 100 130
	Customer Care	902 118 540
	Sales	902 118 541
	Switchboard	902 118 541
	Fax	902 118 539
	Corporate	
	Technical Support	902 100 130
	Customer Care	902 115 236
	Switchboard	91 722 92 00
	Fax	91 722 95 83
Sweden (Upplands Vasby)	Website: support.euro.dell.com	
International Access Code: 00	E-mail: support.euro.dell.com/se/sv/emaildell/	
Country Code: 46	Technical Support	08 590 05 199
City Code: 8	Relational Customer Care	08 590 05 642
	Home/Small Business Customer Care	08 587 70 527
	Employee Purchase Program (EPP) Support	20 140 14 44
	Technical Support Fax	08 590 05 594
	Sales	08 590 05 185
Switzerland (Geneva)	Website: support.euro.dell.com	
International Access Code: 00	E-mail: Tech_support_central_Europe@dell.com	
Country Code: 41	E-mail for French-speaking HSB and Corporate Customers: support.euro.dell.com/ch/fr/emaildell/	
City Code: 22	Technical Support (Home and Small Business)	0844 811 411
	Technical Support (Corporate)	0844 822 844
	Customer Care (Home and Small Business)	0848 802 202
	Customer Care (Corporate)	0848 821 721
	Fax	022 799 01 90
	Switchboard	022 799 01 01

Country (City) International Access Code Country Code City Code	Department Name or Service Area, Website and E-Mail Address	Area Codes, Local Numbers, and Toll-Free Numbers
Taiwan	Website: support.ap.dell.com	
International Access Code: 002	E-mail: ap_support@dell.com	
Country Code: 886	Technical Support (OptiPlex, Latitude, Inspiron, Dimension, and Electronics and Accessories)	toll-free: 00801 86 1011
	Technical Support (PowerApp, PowerEdge, PowerConnect, and PowerVault)	toll-free: 00801 60 1256
	Transaction Sales	toll-free: 00801 65 1228
	Corporate Sales	toll-free: 00801 651 227
Thailand	Website: support.ap.dell.com	
International Access Code: 001	Technical Support (OptiPlex, Latitude, and Dell Precision)	toll-free: 1800 0060 07
Country Code: 66	Technical Support (PowerApp, PowerEdge, PowerConnect, and PowerVault)	toll-free: 1800 0600 09
	Customer Service (Penang, Malaysia)	604 633 4949
	Corporate Sales	toll-free: 1800 006 009
	Transaction Sales	toll-free: 1800 006 006
Trinidad/Tobago	General Support	1-800-805-8035
Turks and Caicos Islands	General Support	toll-free: 1-866-540-3355

Country (City) International Access Code Country Code City Code	Department Name or Service Area, Website and E-Mail Address	Area Codes, Local Numbers, and Toll-Free Numbers
U.K. (Bracknell)	Website: support.euro.dell.com	
International Access Code: 00	Customer Care website: support.euro.dell.com/uk/en/ECare/Form/Home.asp	
Country Code: 44		
City Code: 1344	E-mail: dell_direct_support@dell.com	
	Technical Support (Corporate/Preferred Accounts/PAD [1000+ employees])	0870 908 0500
	Technical Support (direct and general)	0870 908 0800
	Global Accounts Customer Care	01344 373 186
	Home and Small Business Customer Care	0870 906 0010
	Corporate Customer Care	01344 373 185
	Preferred Accounts (500–5000 employees) Customer Care	0870 906 0010
	Central Government Customer Care	01344 373 193
	Local Government & Education Customer Care	01344 373 199
	Health Customer Care	01344 373 194
	Home and Small Business Sales	0870 907 4000
	Corporate/Public Sector Sales	01344 860 456
	Home and Small Business Fax	0870 907 4006
Uruguay	General Support	toll-free: 000-413-598-2521

Country (City) International Access Code Country Code City Code	Department Name or Service Area, Website and E-Mail Address	Area Codes, Local Numbers, and Toll-Free Numbers
U.S.A. (Austin, Texas)	Automated Order-Status Service	toll-free: 1-800-433-9014
International Access Code: 011 Country Code: 1	AutoTech (portable and desktop computers) Consumer (Home and Home Office) Technical Support Customer Service DellNet™ Service and Support Employee Purchase Program (EPP) Customers Financial Services website: www.dellfinancialservices.com Financial Services (lease/loans) Financial Services (Dell Preferred Accounts [DPA]) Business Customer Service and Technical Support Employee Purchase Program (EPP) Customers Printers and Projectors Technical Support Public (government, education, and healthcare) Customer Service and Technical Support Employee Purchase Program (EPP) Customers Dell Sales Dell Outlet Store (Dell refurbished computers) Software and Peripherals Sales Spare Parts Sales Extended Service and Warranty Sales Fax Dell Services for the Deaf, Hard-of-Hearing, or Speech-Impaired	toll-free: 1-800-247-9362 toll-free: 1-800-624-9896 toll-free: 1-800-624-9897 toll-free: 1-877-Dellnet (1-877-335-5638) toll-free: 1-800-695-8133 toll-free: 1-877-577-3355 toll-free: 1-800-283-2210 toll-free: 1-800-822-8965 toll-free: 1-800-695-8133 toll-free: 1-877-459-7298 toll-free: 1-800-456-3355 toll-free: 1-800-234-1490 toll-free: 1-800-289-3355 or toll-free: 1-800-879-3355 toll-free: 1-888-798-7561 toll-free: 1-800-671-3355 toll-free: 1-800-357-3355 toll-free: 1-800-247-4618 toll-free: 1-800-727-8320 toll-free: 1-877-DELLTTY (1-877-335-5889)
U.S. Virgin Islands	General Support	1-877-673-3355
Venezuela	General Support	8001-3605

Index

A

audio. See *sound*

B

badge

color, 15

battery

problems, 39
replacing, 124

BIOS, 131

boot sequence

changing, 136-137
option settings, 136

booting

to a USB device, 136

C

cards

PCI Express slots, 73
PCI slots, 73
slots, 73

CD

operating system, 13

CD/DVD drive

installing, 110
problems, 40
removing, 109

CD-RW drive

problems, 41

CDs, 30

playing, 28

Check Disk, 41

CMOS settings

clearing, 138

color

changing, 15

computer

components inside, 77
crashes, 45-46
inside view, 77
restore to previous state, 62
stops responding, 45

connectors

headphone, 72
IEEE 1394, 72, 75
power, 73
USB, 72

copying CDs

general information, 30
helpful tips, 32
how to, 30

copying DVDs

general information, 30
helpful tips, 32
how to, 30

cover

closing, 125
cover release latch, 73
opening, 76

D

Dell

contacting, 141-142
support policy, 139
support website, 12

Dell Diagnostics, 58

diagnostic lights, 55

diagnostics

Dell, 58
lights, 55

display. See *monitor*

documentation

end user license agreement, 10
ergonomics, 10
online, 12
Product Information
Guide, 10
regulatory, 10
safety, 10
warranty, 10

doors

drive door, removing, 121
drive door, replacing, 122
front panel, 71

drivers

about, 60
identifying, 60

drives

doors, 71
hard drive, 97
installing CD/DVD, 110
installing floppy, 103

drives (*continued*)
installing hard drive, 98
problems, 39
RAID, 21
removing CD/DVD, 109
removing floppy, 101
removing hard drive, 97
serial ATA, 97

dual monitors, 19

DVD drive
problems, 40

DVDs, 30
playing, 28

E

e-mail
problems, 41

end user license
agreement, 10

ergonomics information, 10

error messages
diagnostic lights, 55
problems, 42

F

fans
power supply, 73
processor, 73

Files and Settings Transfer
Wizard, 28

Finding Information, 9

floppy drive
installing, 103
removing, 101

front-panel light
color, 15

G

Graphics
Dual Graphics, 38

H

hard drive
activity light, 71
installing, 98
problems, 41
removing, 97

hardware
Dell Diagnostics, 58
drives, RAID configuration, 21

Hardware Troubleshooter, 64

headphone
connector, 72

Help and Support Center, 12

help file
Windows Help and Support
Center, 12

hibernate mode, 33, 35

Hyper-Threading, 37

I

IEEE 1394
connector, 72, 75
problems, 43

installing parts
before you begin, 69
recommended tools, 69
turning off your computer, 69

Internet
problems, 41

K

keyboard
problems, 44

L

labels
Microsoft Windows, 11
Service Tag, 11

lights
diagnostic, 55
front of computer, 55
hard-drive activity, 71

M

media card reader
installing, 105-106
removing, 105
using, 17

memory
4-GB configurations, 80
DDR2 overview, 79
installation guidelines, 79
installing, 80
problems, 47
removing, 82
type supported, 79

messages
error, 42

Microsoft Windows label, 11

modem
problems, 41

monitor
blank, 53
clone mode, 20
connect DVI, 18, 20
connect TV, 18
connect VGA, 18-20
connecting, 18
connecting two, 19-20
display settings, 20
dual monitors, 18
extended desktop mode, 20
hard to read, 53
problems, 53

motherboard. See *system board*

mouse
problems, 47

N

network
Network Setup Wizard, 32
problems, 48

Network Setup Wizard, 32
newlink CreateArray, 25

O

operating system
CD, 13
reinstalling, 13
reinstalling Windows XP, 64

Operating System CD, 13

P

password
clearing, 137
jumper, 137

playing CDs, 28
playing DVDs, 28

power
button, 71
connector, 73
conserving, 33
hibernate mode, 33, 35
managing, 33
options, 34
options, schemes, 34
problems, 49
standby mode, 33

power light
conditions, 49

power options properties, 34

power supply
fans, 73

printer
problems, 50

problems
battery, 39
blue screen, 46
CD drive, 40
CD-RW drive, 41
computer crashes, 45-46
computer stops responding, 45
Dell Diagnostics, 58
diagnostic lights, 55
drives, 39
DVD drive, 40
e-mail, 41
error messages, 42
general, 44
hard drive, 41
IEEE 1394, 43
Internet, 41
keyboard, 44
memory, 47
modem, 41
monitor hard to read, 53
monitor is blank, 53
mouse, 47
network, 48
power, 49
power light conditions, 49
printer, 50
program crashes, 45
program stops responding, 45
programs and Windows
compatibility, 46
restore to previous state, 62
scanner, 51
screen hard to read, 53
screen is blank, 53
software, 45-46
sound and speakers, 51
technical support policy, 139
troubleshooting tips, 39

problems (*continued*)
video and monitor, 53
volume adjusting, 52

processor
fans, 73
type, 127

Program Compatibility
Wizard, 46

R

RAID
configuring, 21
regulatory information, 10
reinstalling
Windows XP, 64
ResourceCD, 61
Dell Diagnostics, 58

S

safety instructions, 10
SATA. See *serial ATA*
Scalable Link Interface
technology, 38
scanner
problems, 51
screen. See *monitor*
serial ATA, 97
Service Tag, 11
settings
system setup, 131

SLI
See *Scalable Link Interface
technology*

software
Hyper-Threading, 37
problems, 45-46

sound
problems, 51
volume, 51

speaker
problems, 51
volume, 51

specifications
computer information, 127
connectors, 129
controls and lights, 129
drives, 128
environmental, 130
expansion bus, 128
memory, 127
physical, 130
power, 130
processor, 127
technical, 127
video, 127-128

standby mode, 33

support
contacting Dell, 141-142
policy, 139

support website, 12

system board, 78

system board components, 78

System Restore, 62

system setup, 131
entering, 131
options, 132
screens, 131

T

technical support
policy, 139

transferring information to a
new computer, 28

troubleshooting
Dell Diagnostics, 58
diagnostic lights, 55
Hardware Troubleshooter, 64
Help and Support Center, 12
restore to previous state, 62
tips, 39

TV
connect to computer, 18

U

USB
booting to devices, 136
connectors, 72

V

video
problems, 53
volume
adjusting, 52

W

warranty information, 10

Windows XP

- Device Driver Rollback, 61

- Files and Settings Transfer Wizard, 28

- Hardware Troubleshooter, 64

- Help and Support Center, 12

- Hyper-Threading, 37

- Network Setup Wizard, 32

- Program Compatibility Wizard, 46

- reinstalling, 13, 64

- scanner, 51

- System Restore, 62

wizards

- Files and Settings Transfer Wizard, 28

- Network Setup Wizard, 32

- Program Compatibility Wizard, 46

